



IV. A.

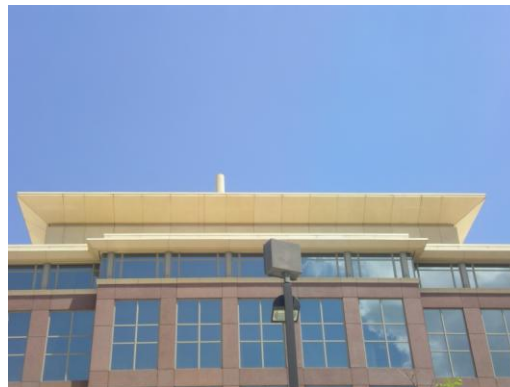
690 Chesterfield Pkwy W • Chesterfield MO 63017-0760
Phone: 636-537-4000 • Fax 636-537-4798 • www.chesterfield.mo.us

**Department of Planning & Public Works
City of Chesterfield
Public Hearing Summary Report**

T.S.P. 24-2010 Clearwire US LLC (Drury Plaza Hotel): A request to obtain approval for a Telecommunication Siting Permit for the purpose of adding an additional antenna canister and equipment on the roof of a “PC” Planned Commercial District-zoned tract of land located at 355 E. Chesterfield Center (18S230433)

The above-referenced project is a request for a Telecommunications Siting Permit (T.S.P.). If the request is approved, the Permit will allow placement of antennas within a canister from a new user, Clearwire US, on the roof of the Drury Plaza Hotel. Equipment to support the antenna canister will also be placed on the roof and be hidden by the parapet. Another user currently has an antenna canister on the roof. Clearwire’s proposed canister would be identical.

Drury Plaza hotel is zoned “PC” Planned Commercial District. On July 17, 2006, the City of Chesterfield approved Ordinance 2281, amended the governing conditions for the hotel to authorize placement of disguised communications antenna on the site. City of Chesterfield Ordinance 2391, which governs telecommunications and facilities siting, requires a public hearing before the City of Chesterfield



Existing antenna canister



Petitioner’s depiction

Planning Commission for alterations that present a material change. Please note, the Commission does not provide a recommendation to the City Council, but rather a list of issues generated during the hearing. City Council is the decision-making body for all requests for Telecommunications Siting Permits. A public hearing further addressing the request will be held at the July 26, 2010 City of Chesterfield Planning meeting. Attached please find a copy of the Public Hearing Notice and an application packet detailing the Petitioner's request.

Respectfully submitted,



Annissa McCaskill-Clay, AICP
Lead Senior Planner

Cc: Michael G. Herring, City Administrator
Rob Heggie, City Attorney
Michael O. Geisel, Director of Planning and Public Works
Aimee Nassif, Planning and Development Services Director



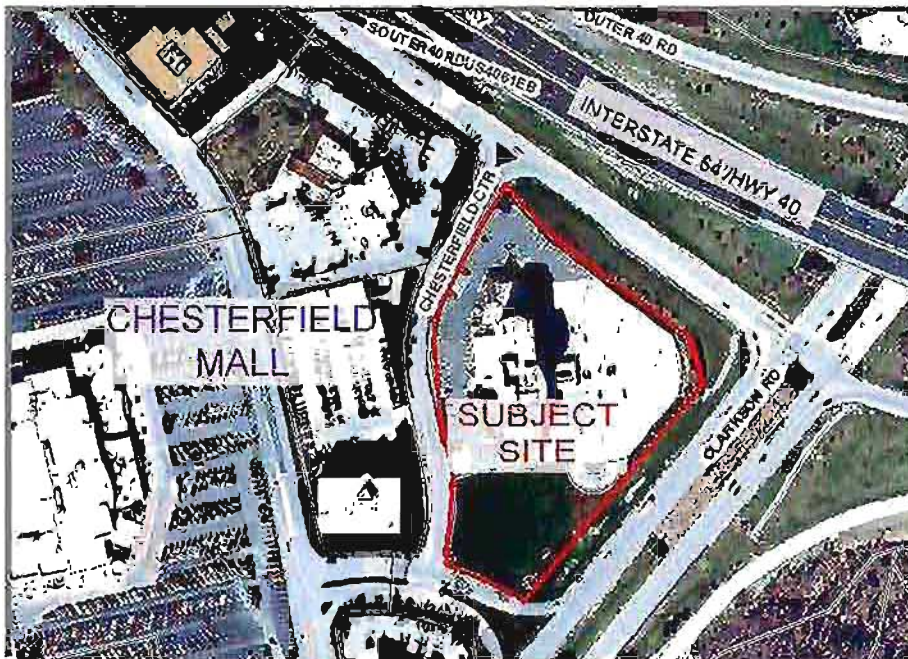
NOTICE OF PUBLIC HEARING CITY OF CHESTERFIELD PLANNING COMMISSION

NOTICE IS HEREBY GIVEN that the Planning Commission of the City of Chesterfield will hold a Public Hearing on Monday, July 26, 2010 at 7:00 pm in the Council Chambers at the City Hall, 690 Chesterfield Parkway West, Chesterfield, Missouri 63017. Said hearing will be as follows:

T.S.P. 24-2010 Clearwire US LLC (Drury Plaza Hotel): A request to obtain approval for a Telecommunication Siting Permit for the purpose of adding an additional antenna canister and equipment on the roof of a "PC" Planned Commercial District-zoned tract of land located at 355 E. Chesterfield Center (18S230433)

Description of Property

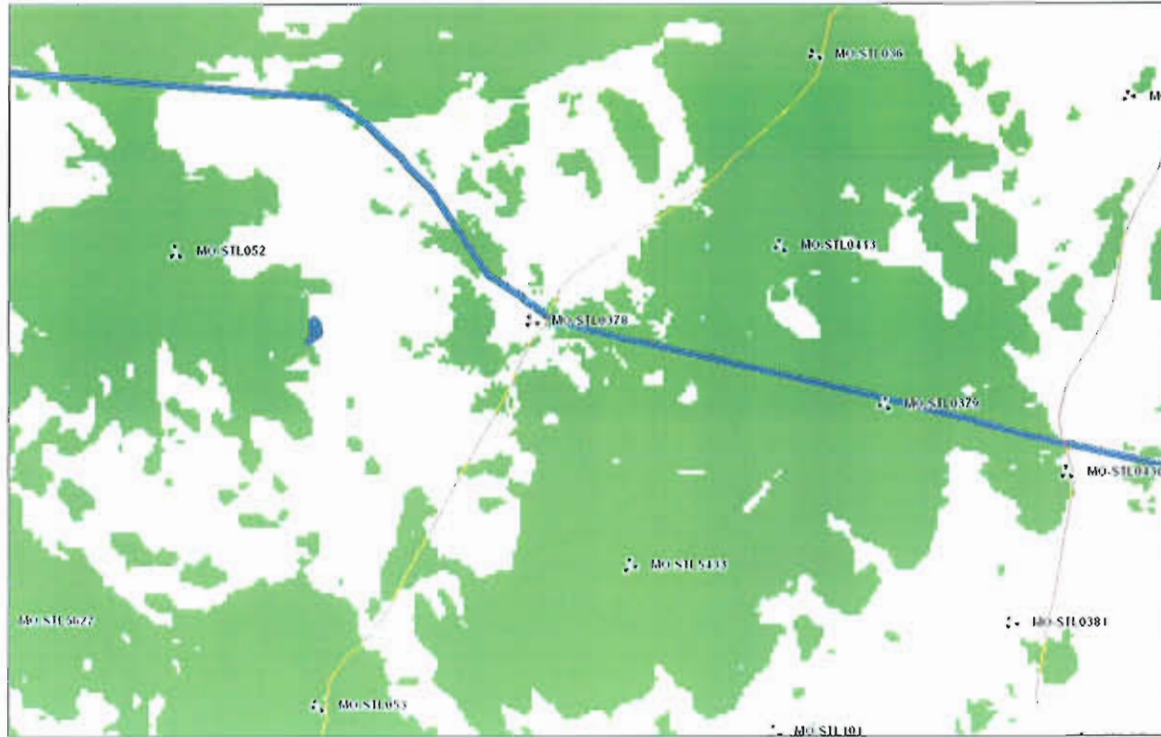
LOTS 1 AND 2 OF DRURY PLAZA, A SUBDIVISION ACCORDING TO THE PLAT THEREOF RECORDED IN PLAT BOOK 352, PAGE 123 IN ST. LOUIS COUNTY, MISSOURI RECORDER'S OFFICE.



Information on this Public Hearing may be found on the City's website at <http://www.chesterfield.mo.us/public-notice.html> or by contacting Lead Senior Planner Annissa McCaskill-Clay at 636.537.4737 or via e-mail at amccaskill@chesterfield.mo.us. All interested parties will be given an opportunity to be heard at the Public Hearing.

MO-STL0378

Coverage Analysis



Indoor Coverage without MO-STL0378



Indoor Coverage with MO-STL0378 (90ft)



Indoor Coverage with MO-STL0378 (80ft)

Due to the 10' parapet wall at the long end of the building, 80' will not clear. Given the height of the wall, It will require the antennas to be ~10' higher to clear.

2009 CLEARWIRE. THIS DOCUMENT WAS CREATED BY LANDTECH PROFESSIONAL SURVEYING & ENGINEERING FOR CLEARWIRE. NO PART OF THIS DOCUMENT MAY BE REPRODUCED OR USED IN ANY FORM EXCEPT WITH THE WRITTEN PERMISSION OF CLEARWIRE AND LANDTECH.

CLEARWIRE PROJECT MANAGEMENT	DATE
CLEARWIRE CONSTRUCTION MANAGEMENT	DATE
CLEARWIRE ENGINEERING	DATE
BACKHAUL ENGINEERING	DATE
LANDLORD	DATE

clearwire®

TECHNOLOGIES, INC.



SITE ID: MO-STL0378

DRURY INN

DRAWING INDEX		CIVIL ENGINEER	SURVEYOR	PROJECT INFORMATION																						
T-1	TITLE SHEET	LANDTECH PROFESSIONAL SURVEYING AND ENGINEERING 1275 MCGREGOR WAY GRAWN, MI 49637 P.O. BOX 193 PHONE: (231) 943-0050	LANDTECH PROFESSIONAL SURVEYING AND ENGINEERING 1275 MCGREGOR WAY GRAWN, MI 49637 P.O. BOX 193 PHONE: (231) 943-0050	SCOPE OF WORK: THIS FACILITY IS AN UNOCCUPIED TELECOMMUNICATIONS FACILITY CONSISTING OF CO-LOCATING ON AN EXISTING BUILDING WITH ANTENNAS HIDDEN IN A STEALTH CANISTER AND THE INSTALLATION OF NEW EQUIPMENT ON ROOFTOP.																						
S-1	PARCEL PLAN			SITE ADDRESS: 355 E. CHESTERFIELD CENTER CHESTERFIELD, MO 63017																						
A-1	ROOF PLAN	DIRECTIONS TO SITE: FROM ST. LOUIS LAMBERT AIRPORT: TAKE HWY 70 WEST TO 270 SOUTH. FOLLOW TO HWY 40 WEST TO OLIVE BLVD, MAKE A LEFT WHERE ROAD CHANGES TO CLARKSON AND THE DRURY INN IS ON YOUR LEFT.		BUILDING OWNER: DRURY PLAZA CHESTERFIELD LLP 721 EMERSON ROAD SUITE 200 ST. LOUIS, MO 63141																						
A-1.3	BUILDING ELEVATION			BUILDING NAME: DRURY INN																						
A-1.5	BUILDING ELEVATION PHOTOS			APPLICANT: CLEARWIRE 4400 CARILLION POINT KIRKLAND, WA 98033 (425) 216-7600 PH (425) 216-7900 FAX																						
A-2	ANTENNA MOUNTING DETAILS & NOTES			CONTACT: AMY ISENBURG																						
A-3	ANTENNA SHROUD SECTIONS & DETAILS			BUILDING INFORMATION: (LATITUDE & LONGITUDE BASED ON NAD1983) LATITUDE: 38° 39' 08.3" N LONGITUDE: 90° 33' 38.7" W PROPOSED RAD CENTER HEIGHT: ±125' AGL.																						
A-3.1	ANTENNA SHROUD SECTIONS & DETAILS			PARCEL NUMBER (TAX ID.): 18S230433																						
A-3.3	ANTENNA SHROUD SECTIONS & DETAILS			CURRENT ZONING: PC COMMERCIAL																						
A-3.5	PIPE MAST CONNECTION DETAILS			TYPE OF CONSTRUCTION: PROJECT TYPE: EXISTING TEN STORY HOTEL BUILDING																						
A-4	EQUIPMENT DETAILS																									
A-5	RF/MW CONFIG			CODE COMPLIANCE ALL WORK AND MATERIALS SHALL BE PERFORMED AND INSTALLED IN ACCORDANCE WITH THE CURRENT EDITIONS OF THE FOLLOWING CODES AS ADOPTED BY THE LOCAL GOVERNING AUTHORITIES. NOTHING IN THESE PLANS IS TO BE CONSTRUED TO PERMIT WORK NOT CONFORMING TO THE LATEST EDITIONS OF THE FOLLOWING CODES: 1. IBC 2003 2. IMC 2003 3. IRC 2003 4. UPC 2003 5. NEC 2005 6. LOCAL BUILDING CODE 7. CITY/COUNTY ORDINANCES 8. IECC 2003 (2003 IBC) 9. INTERNATIONAL EXISTING BUILDING CODE 2003																						
E-1	ELECTRICAL PLAN			SITE QUALIFICATION PARTICIPANTS																						
E-2	GROUNDING PLAN			<table border="1"> <thead> <tr> <th>NAME</th> <th>COMPANY</th> <th>NUMBER</th> </tr> </thead> <tbody> <tr> <td>A/E</td> <td>MATTHEW MOKANYK, P.E.</td> <td>LANDTECH</td> <td>231-943-0050</td> </tr> <tr> <td>SAC</td> <td>RUSSELL BEEN</td> <td>COLLECTIVE SOLUTIONS, LLC</td> <td>314-989-9810</td> </tr> <tr> <td>RF</td> <td>JASON GIBBS</td> <td>CLEARWIRE</td> <td></td> </tr> <tr> <td>CON</td> <td>AMY ISENBURG</td> <td>CLEARWIRE</td> <td>amy.isenburg@clearwire.com</td> </tr> <tr> <td>LANDLORD</td> <td>VINCE MILLER</td> <td>DRURY PLAZA CHESTERFIELD LLP</td> <td>314-423-6698</td> </tr> </tbody> </table>		NAME	COMPANY	NUMBER	A/E	MATTHEW MOKANYK, P.E.	LANDTECH	231-943-0050	SAC	RUSSELL BEEN	COLLECTIVE SOLUTIONS, LLC	314-989-9810	RF	JASON GIBBS	CLEARWIRE		CON	AMY ISENBURG	CLEARWIRE	amy.isenburg@clearwire.com	LANDLORD	VINCE MILLER
NAME	COMPANY	NUMBER																								
A/E	MATTHEW MOKANYK, P.E.	LANDTECH	231-943-0050																							
SAC	RUSSELL BEEN	COLLECTIVE SOLUTIONS, LLC	314-989-9810																							
RF	JASON GIBBS	CLEARWIRE																								
CON	AMY ISENBURG	CLEARWIRE	amy.isenburg@clearwire.com																							
LANDLORD	VINCE MILLER	DRURY PLAZA CHESTERFIELD LLP	314-423-6698																							

LANDTECH
 PROFESSIONAL SURVEYING & ENGINEERING
 231-943-0050 ph 231-943-0051 fax 877-520-LAND toll free
 www.landtechps.com www.towersurveyors.com

clearwire®
 TECHNOLOGIES, INC.
 4400 CARILLION POINT
 KIRKLAND, WA 98033
 (425) 216-7600 PH
 (425) 216-7900 FAX

SITE ID: MO-STL0378
 DRURY INN
 355 E. CHESTERFIELD CENTER
 CHESTERFIELD, MO 63017

NO.	DATE	REVISIONS	BY	CHK	APP'D
3	05/08/10	MOVE EQUIPMENT PLATFORM	DAM	MM	MM
2	04/22/10	BLDG ELEVATION & PARCEL PLAN PER COMMENTS	DAM	MM	MM
1	03/08/10	ADD PENTHOUSE INTERIOR HVAC COMPONENTS	DAM	MM	MM
0	02/19/10	PRELIMINARY DRAWINGS	DAM	MM	MM

SCALE: AS SHOWN DESIGNED BY: MM

SHEET T-1

TITLE SHEET

DRAWING NUMBER

0938526



Know what's below.
Call before you dig.

SITE ADDRESS:

355 E. CHESTERFIELD CENTER
CHESTERFIELD, MO 63017

LAND OWNER:

DRURY PLAZA
CHESTERFIELD LLP
721 EMERSON ROAD
SUITE 200
ST. LOUIS, MO 63141

ZONING:

SUBJECT SITE: PC COMMERCIAL
NORTH OF SITE: C8 COMMERCIAL
SOUTH OF SITE: C8 COMMERCIAL
EAST OF SITE: C8 COMMERCIAL
WEST OF SITE: C8 COMMERCIAL

SETBACKS:

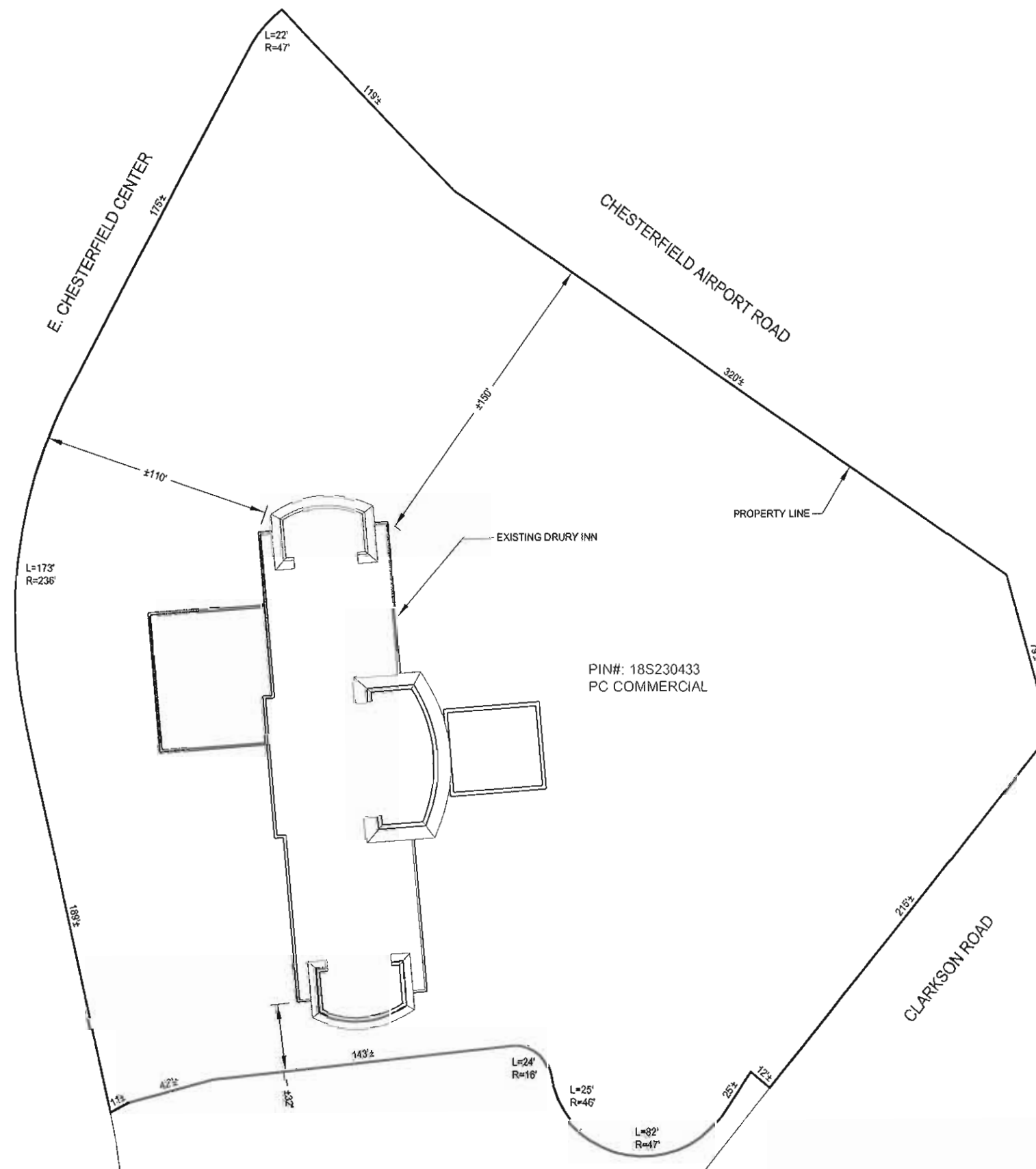
FRONT SETBACKS: N/A
SIDE SETBACKS: N/A
REAR SETBACKS: N/A

AREA DATA:

PARENT PARCEL AREA: 3.82 ACRES
LEASE AREA: 49 SQ.FT.
AREA OF CONSTRUCTION: N/A (on rooftop)

PARENT PARCEL LEGAL DESCRIPTION

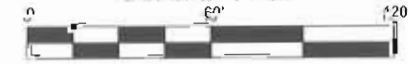
DESCRIPTION PER DEED IN PLAT BOOK 17932, PAGE 1145:
LOTS 1 AND 2 OF DRURY PLAZA, A SUBDIVISION ACCORDING TO THE PLAT
THEREOF RECORDED IN PLAT BOOK 352, PAGE 123 IN ST. LOUIS COUNTY,
MISSOURI RECORDERS OFFICE.



LEGEND	
• IRON FOUND	EHH ELECTRIC HANDHOLE
○ IRON SET	PP POWER POLE
• P.K. NAIL FOUND	GUY
• P.K. NAIL SET	WV WATER VALVE
○ GPS MONUMENT	HYDRANT
○ MONUMENT BOX FOUND	GM GAS METER
○ MONUMENT FOUND	GM GAS MARKER
○ MONUMENT SET	GM GAS VALVE
00 RECORD	TP TELEPHONE PEDESTAL
00 MEASURED	SP SIGN POST
○ 275 STORM MANHOLE	FL FENCE LINE
○ CATCH BASIN	BM BENCHMARK
□ SQUARE CATCH BASIN	
○ 300 SANITARY MANHOLE	
○ SANITARY CLEAN-OUT	
○ MONITOR WELL	
○ TELCO MANHOLE	
○ LIGHT POLE	
○ ELECTRIC TRANSFORMER	
○ ELECTRIC METER	

PARCEL PLAN

SCALE: 1"=60'



LANDTECH
PROFESSIONAL SURVEYING & ENGINEERING
231-943-0050 ph 231-943-0051 fax 877-520-LAND toll free
www.landtechps.com www.towersurveyors.com

clearwire
TECHNOLOGIES, INC.
4400 CARILLION POINT
KIRKLAND, WA 98033
(425) 216-7600 PH
(425) 216-7900 FAX

SITE ID: MO-STL0378
DRURY INN
355 E. CHESTERFIELD CENTER
CHESTERFIELD, MO 63017

NO.	DATE	REVISIONS	BY	CHK	APP'D
3	05/08/10	MOVE EQUIPMENT PLATFORM	DAM	MM	MM
2	04/22/10	BLDG ELEVATION & PARCEL PLAN PER COMMENTS	DAM	MM	MM
1	03/08/10	ADD PENTHOUSE INTERIOR HVAC COMPONENTS	DAM	MM	MM
0	02/19/10	PRELIMINARY DRAWINGS	DAM	MM	MM

SCALE: AS SHOWN DESIGNED BY: MM

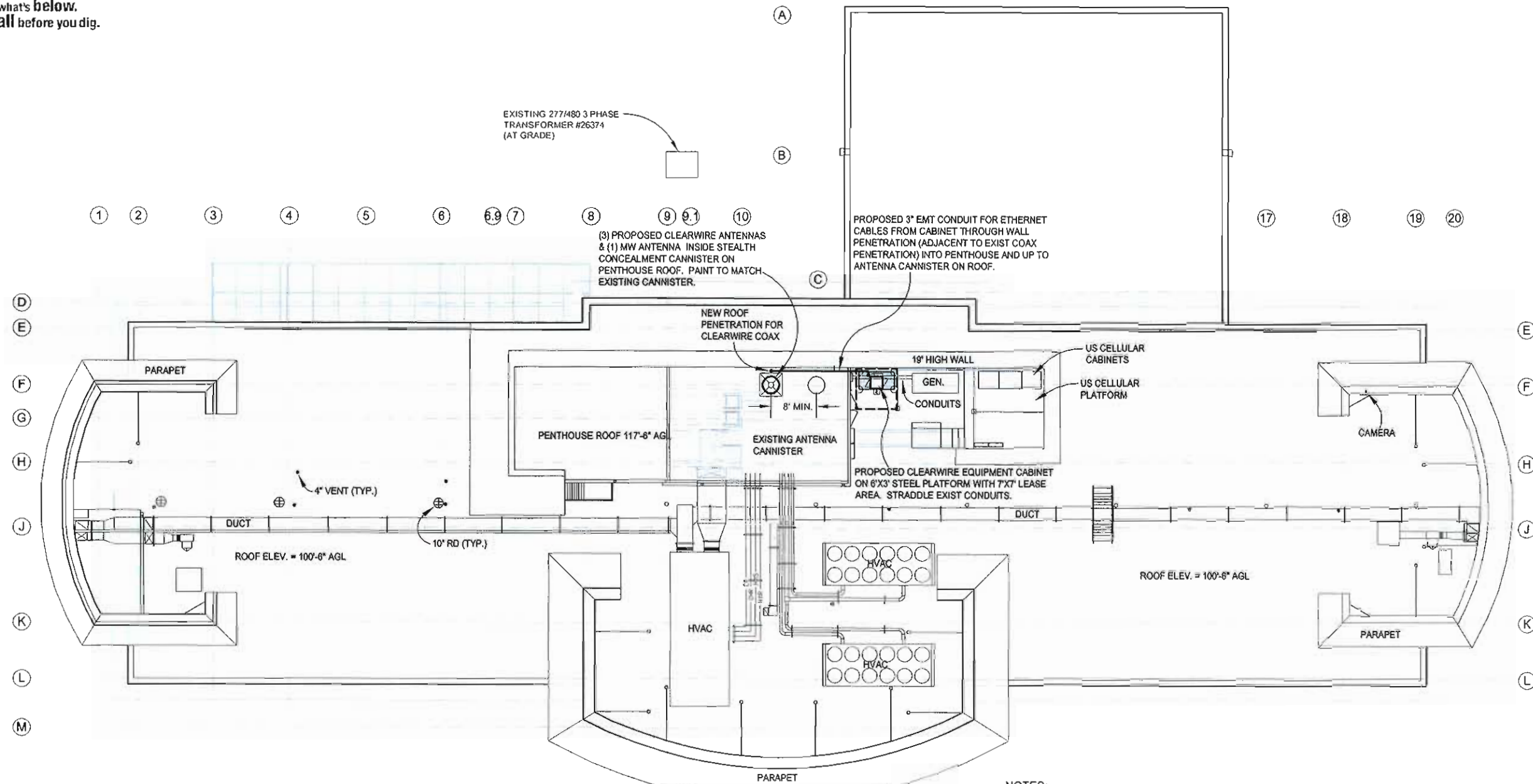
SHEET S-1
PARCEL PLAN
DRAWING NUMBER
0938526

2009 CLEARWIRE. THIS DOCUMENT WAS CREATED BY LANDTECH PROFESSIONAL SURVEYING & ENGINEERING FOR CLEARWIRE AND PART OF THIS DOCUMENT MAY BE REPRODUCED OR USED IN ANY FORM EXCEPT WITH THE WRITTEN PERMISSION OF CLEARWIRE AND LANDTECH



Know what's below.
Call before you dig.

2009 CLEARWIRE. THIS DOCUMENT WAS CREATED BY LANDTECH PROFESSIONAL SURVEYING & ENGINEERING FOR CLEARWIRE. NO PART OF THIS DOCUMENT MAY BE REPRODUCED OR USED IN ANY FORM EXCEPT WITH THE WRITTEN PERMISSION OF CLEARWIRE AND LANDTECH



NOTES:
FIELD POSITION ANTENNA CANISTER ON PENTHOUSE ROOF SO THAT BASE PLATE SPANS UNDERLYING STRUCTURAL STEEL MEMBERS. SEE SHEET A-3.5 FOR BASE PLATE INSTALLATION DETAILS.

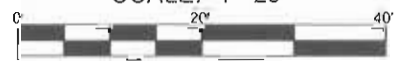
ANY ITEMS VISIBLE FROM THE EXTERIOR SHALL BE PAINTED TO MATCH ADJACENT BUILDING MATERIALS.

ORIGINAL ROOF CONTRACTOR TO INSTALL ANTENNA CANISTER BASE PLATE AND ROOF PENETRATION SO AS TO NOT VOID ROOF WARRANTY. SEE ROOF COAX PENETRATION DETAIL ON SHEET E-4.

PLACE PLATFORM TO STRADDLE EXISTING GENERATOR CONDUITS.

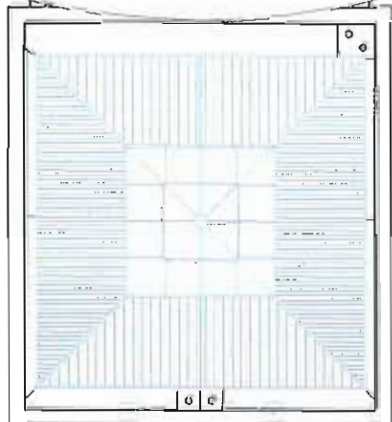


ROOF PLAN
SCALE: 1"=20'



MISC. NOTES:
INSTALL PROPOSED ANTENNA MOUNTS, ANTENNAS AND CABLES PER FINAL RF CONFIGURATION AND FINAL CONSTRUCTION DRAWINGS.

POWER NOTE:
THERE IS A 277/480 3 PHASE PAD MOUNTED TRANSFORMER (#26374) ON THE WEST SIDE OF THE HOTEL NORTH OF THE POOL.
A STEP DOWN TRANSFORMER WILL BE REQUIRED.
A POWER OUTAGE FOR THE HOTEL MUST OCCUR TO CONNECT NEW CLEARWIRE METER TO THE TRANSFORMER.
THE NEW CLEARWIRE 100A METER MUST BE MOUNTED TO THE OUTSIDE WALL JUXTAPOSITION TO THE HOTEL'S METER.
CONDUIT RUN FROM FIRST FLOOR PENETRATION TO EQUIPMENT.



LANDTECH
PROFESSIONAL SURVEYING & ENGINEERING
331-943-0050 ph 231-943-0053 fax 877-520-LAND toll free
www.landtechps.com www.towersurveyors.com

clearwire
TECHNOLOGIES, INC.
4400 CARILLION POINT
KIRKLAND, WA 98033
(425) 216-7600 PH
(425) 216-7900 FAX

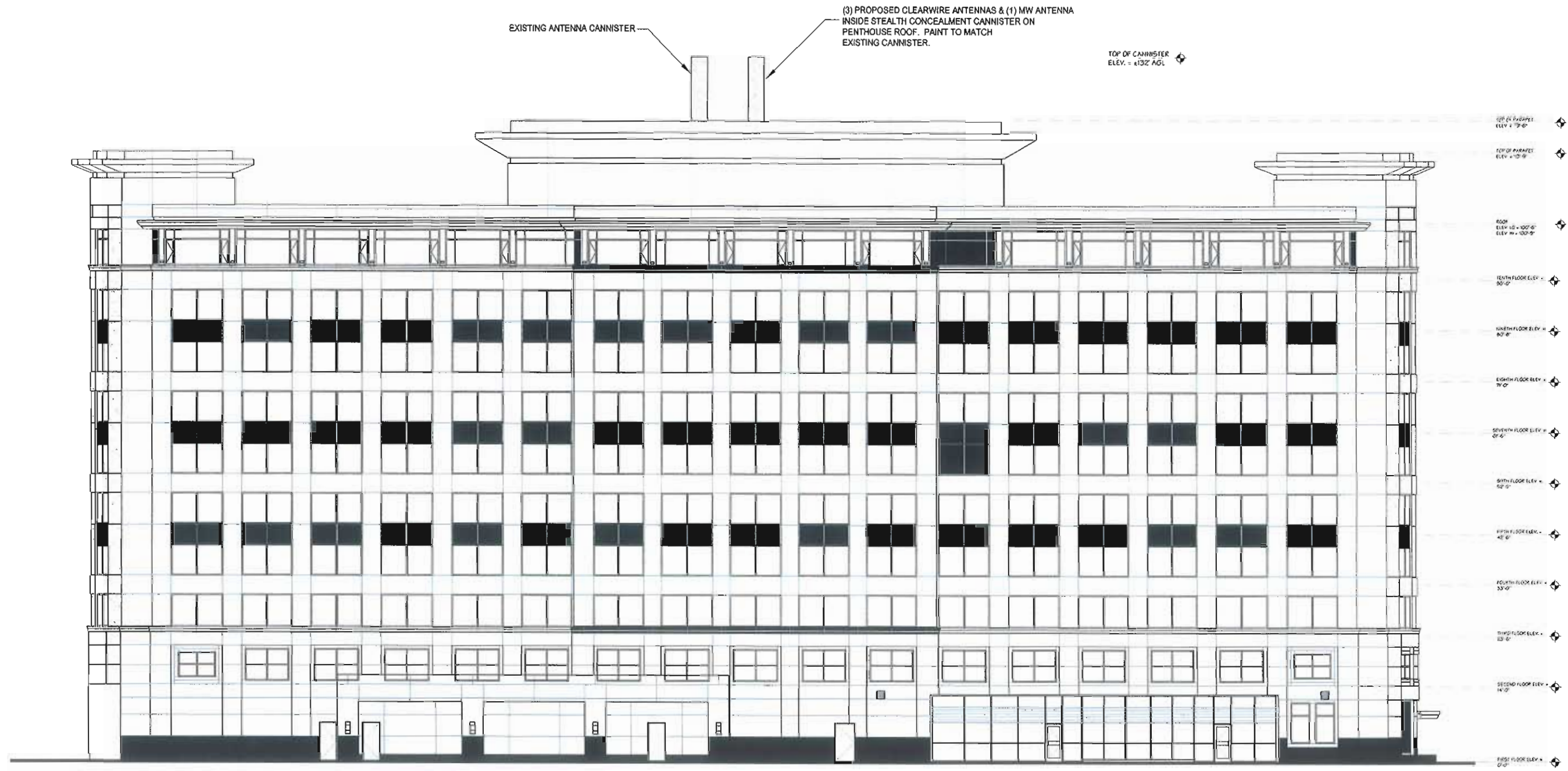
SITE ID: MO-STL0378
DRURY INN
355 E. CHESTERFIELD CENTER
CHESTERFIELD, MO 63017

NO.	DATE	REVISIONS	BY	CHK	APP'D
3	05/08/10	MOVE EQUIPMENT PLATFORM	DAM	MM	MM
2	04/22/10	BLOC ELEVATION & PARCEL PLAN PER COMMENTS	DAM	MM	MM
1	03/08/10	ADD PENTHOUSE INTERIOR HVAC COMPONENTS	DAM	MM	MM
0	02/19/10	PRELIMINARY DRAWINGS	DAM	MM	MM

SCALE: AS SHOWN DESIGNED BY: MM

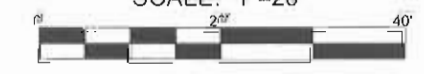
SHEET A-1
ROOF PLAN
DRAWING NUMBER
0938526

2009 CLEARWIRE. THIS DOCUMENT WAS CREATED BY LANDTECH PROFESSIONAL SURVEYING & ENGINEERING FOR CLEARWIRE. NO PART OF THIS DOCUMENT MAY BE REPRODUCED OR USED IN ANY FORM EXCEPT WITH THE WRITTEN PERMISSION OF CLEARWIRE AND LANDTECH



WEST ELEVATION

SCALE: 1"=20'



LANDTECH
PROFESSIONAL SURVEYING & ENGINEERING
231-943-0050 ph 231-943-0051 fax 877-520-LAND toll free
www.landtechps.com www.towersurveyors.com

clearwire TECHNOLOGIES, INC.
4400 CARILLION POINT
KIRKLAND, WA 98033
(425) 216-7600 PH
(425) 216-7900 FAX

SITE ID: MO-STL0378
DRURY INN
355 E. CHESTERFIELD CENTER
CHESTERFIELD, MO 63017

NO.	DATE	REVISIONS	BY	CHK	APP'D
3	05/08/10	MOVE EQUIPMENT PLATFORM	DAM	MM	MM
2	04/22/10	BLDG ELEVATION & PARCEL PLAN PER COMMENTS	DAM	MM	MM
1	03/08/10	ADD PENTHOUSE INTERIOR HVAC COMPONENTS	DAM	MM	MM
0	02/19/10	PRELIMINARY DRAWINGS	DAM	MM	MM

SCALE: AS SHOWN DESIGNED BY: MM

SHEET A-1.3
BUILDING ELEVATION
DRAWING NUMBER
0938526

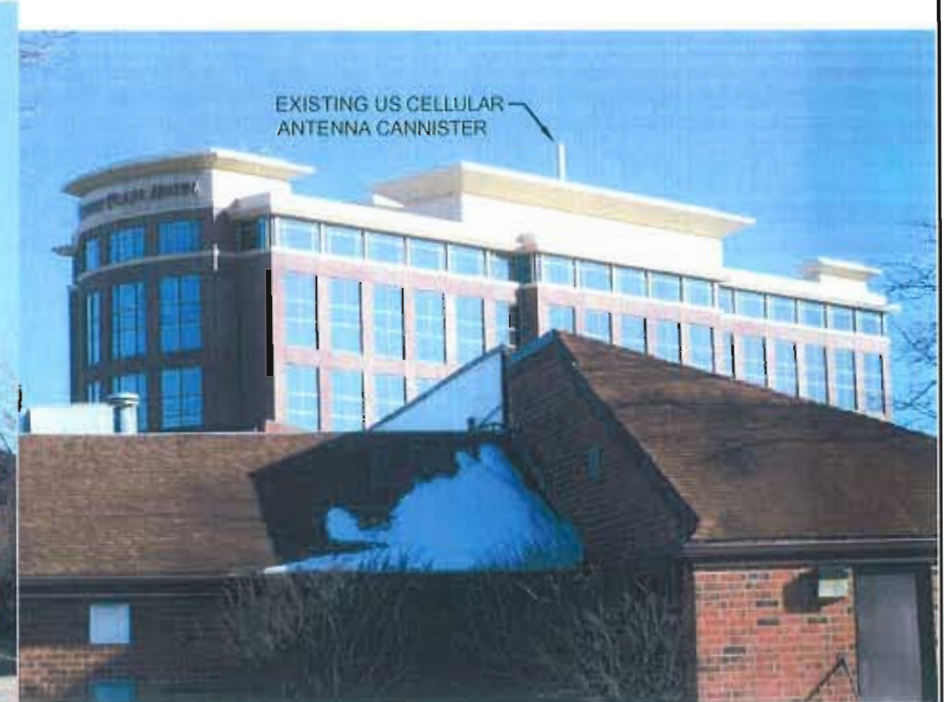
2009 CLEARWIRE. THIS DOCUMENT WAS CREATED BY LANDTECH PROFESSIONAL SURVEYING & ENGINEERING FOR CLEARWIRE. NO PART OF THIS DOCUMENT MAY BE REPRODUCED OR USED IN ANY FORM EXCEPT WITH THE WRITTEN PERMISSION OF CLEARWIRE AND LANDTECH



LOOKING EAST EXISTING



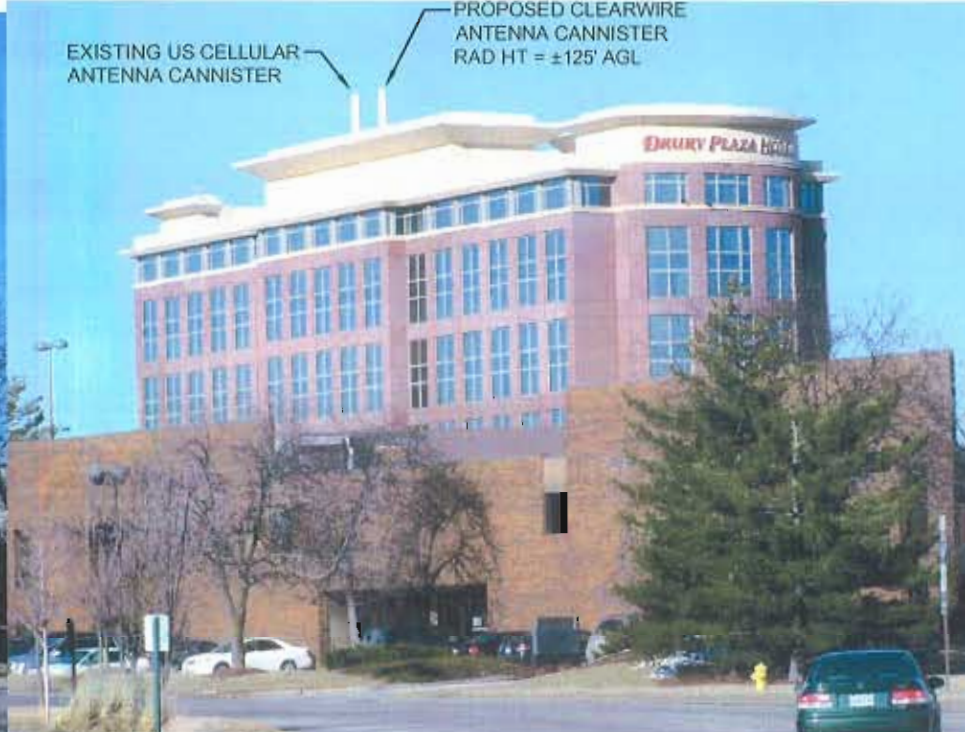
LOOKING NORTHEAST EXISTING



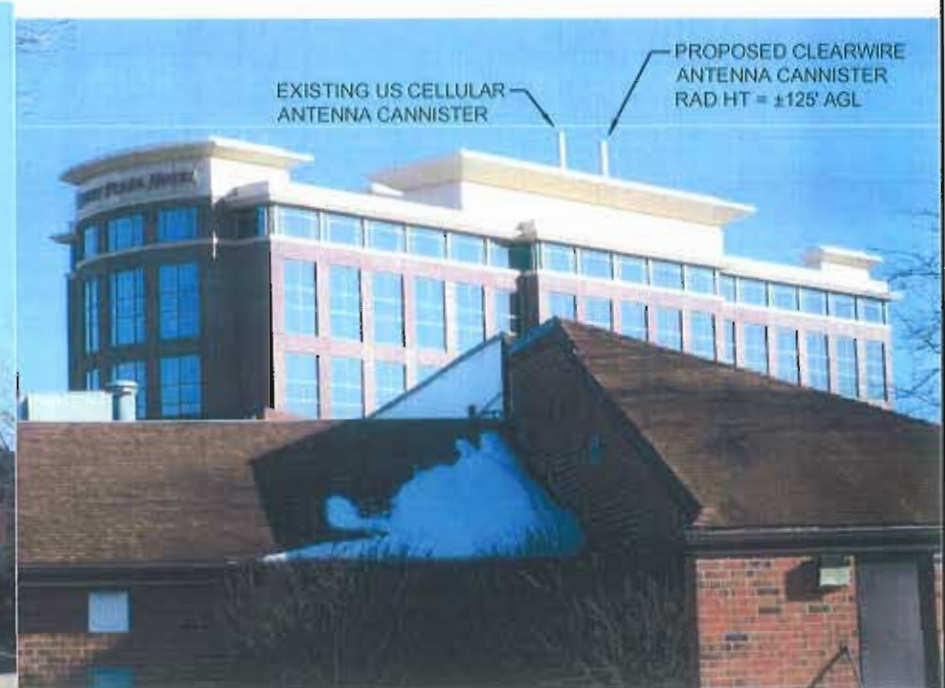
LOOKING SOUTHEAST EXISTING



LOOKING EAST PROPOSED



LOOKING NORTHEAST PROPOSED



LOOKING SOUTHEAST PROPOSED

LANDTECH
 PROFESSIONAL SURVEYING & ENGINEERING
 AZ, CA, CO, FL, GA, IL, IA, IN, KS, KY, MI, MN, MO, NE, NC, ND, OH, OK, PA, SC, SD, TN, TX, VA, WV
 231-943-0050 ph 231-943-0051 fax 877-520-LAND toll free
 www.landtechps.com www.towersurveyors.com

clearwire®
 TECHNOLOGIES, INC.
 4400 CARILLION POINT
 KIRKLAND, WA 98033
 (425) 216-7600 PH
 (425) 216-7900 FAX

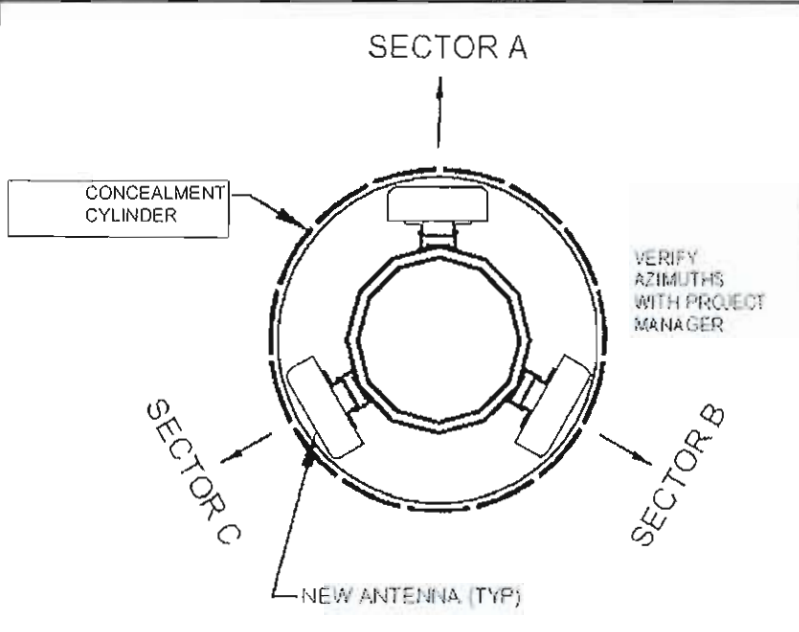
SITE ID: MO-STL0378
 DRURY INN
 355 E. CHESTERFIELD CENTER
 CHESTERFIELD, MO 63017

NO.	DATE	REVISIONS	BY	CHK	APP'D
3	05/08/10	MOVE EQUIPMENT PLATFORM	DAM	MM	MM
2	04/22/10	BLDG ELEVATION & PARCEL PLAN PER COMMENTS	DAM	MM	MM
1	03/08/10	ADD PENTHOUSE INTERIOR HVAC COMPONENTS	DAM	MM	MM
0	02/19/10	PRELIMINARY DRAWINGS	DAM	MM	MM

SCALE: AS SHOWN DESIGNED BY: MM

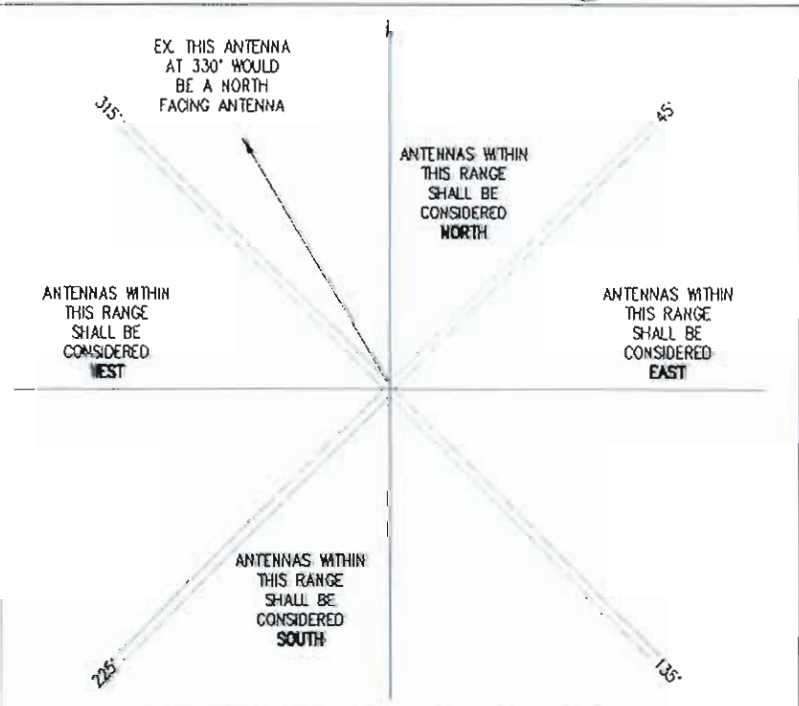
SHEET A-1.5
 BUILDING ELEVATION
 PHOTOS
 DRAWING NUMBER
 0938526

2009 CLEARWIRE. THIS DOCUMENT WAS CREATED BY LANDTECH PROFESSIONAL SURVEYING & ENGINEERING FOR CLEARWIRE. NO PART OF THIS DOCUMENT MAY BE REPRODUCED OR USED IN ANY FORM EXCEPT WITH THE WRITTEN PERMISSION OF CLEARWIRE AND LANDTECH.

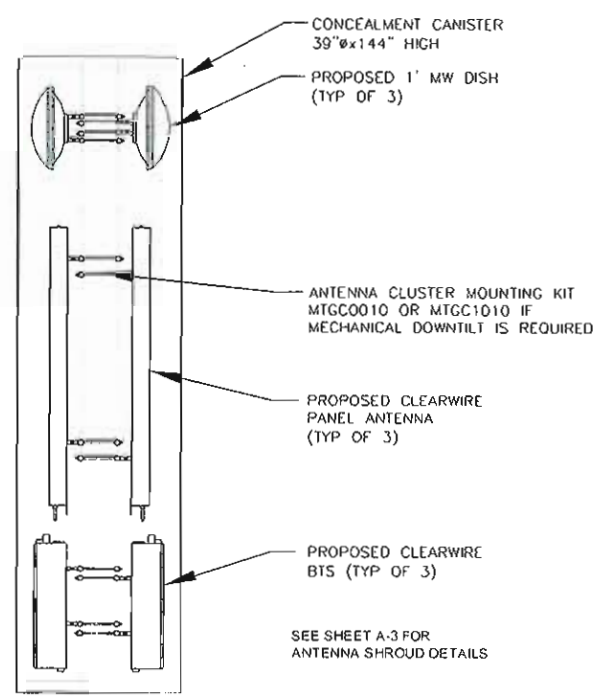


- ALL ANTENNAS FURNISHED WITH DOWNTILT BRACKETS. CONTRACTOR TO COORDINATE REQUIRED MECHANICAL DOWNTILT FOR EACH ANTENNA WITH RF ENGINEER.
- ANTENNA CENTERLINE HEIGHT IS IN REFERENCE TO ELEVATION 0'-0". ANTENNA HEIGHTS ARE SHOWN ON TOWER ELEVATION DETAIL 2/A-1.
- CONTRACTOR SHALL VERIFY ANTENNA TYPE, CABLE TYPE, AND AZIMUTH WITH RF ENGINEER AND/OR CONSTRUCTION MANAGER PRIOR TO CONSTRUCTION.
- LOCAL MAGNETIC DECLINATION FACTOR, PER THE NATIONAL GEOPHYSICAL DATA CENTER, IS 50'W BY 07'W PER YEAR.

ANTENNA ORIENTATION PLAN 1
SCALE: N.T.S. A-2



ANTENNA SECTOR NAMING 3
SCALE: N.T.S. A-2



SECTOR	MARKING METHOD COLORED BANDS	MARKING METHOD NUMBER OF BANDS
NORTH	RED	1
EAST	BLUE	2
SOUTH	WHITE	3
WEST	GREEN	4

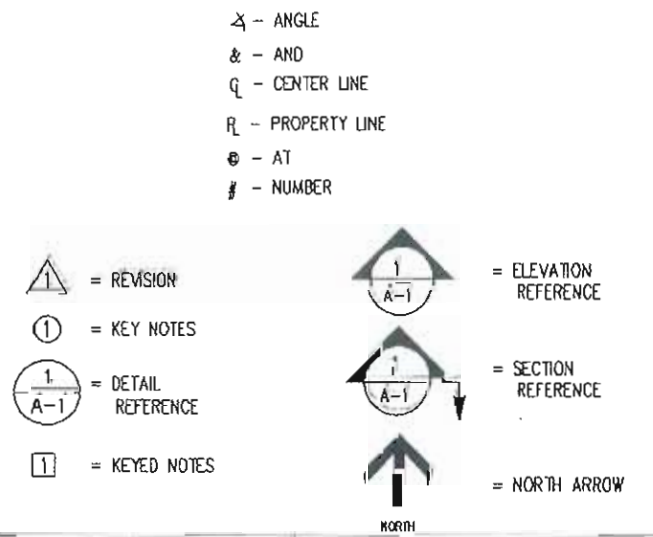
NOTES:
LABEL MARKINGS SHALL BE PLACED WITHIN 12" OF THE CABLE AT BOTH ENDS, AT OR NEAR THE TOWER MGB AND EITHER PRIOR TO THE ENTRY INTO THE CONDUIT OR PRIOR TO ENTRY INTO THE CABINET. LABEL MARKING SHALL BE AT LEAST 1" WIDE BUT NOT MORE THAN 2" WIDE. FOR MULTIPLE BAND MARKING, BANDS SHALL BE SEPERATED BY AT LEAST 1" BUT NOT MORE THAN 2".
ETHERNET CABLES SHALL BE ATTACHED TO TOWER WAVEGUIDE LADDER USING UV-RESISTANT BLACK CABLE TIES WITH 40LB MINIMUM BREAKING STRENGTH.

COLOR CODING 4
SCALE: N.T.S. A-2

- FACILITY IS UNMANNED AND NOT FOR HUMAN HABITATION (HANDICAPPED ACCESS NOT REQUIRED).
- FACILITY HAS NO PLUMBING.
- FACILITY WILL BE INDEPENDENTLY POWERED WITH SEPERATE METER.
- ANTENNA INSTALLATION SHALL BE CONDUCTED BY FIELD CREWS EXPERIENCED IN THE ASSEMBLY AND ERECTION OF RADIO ANTENNAS, TRANSMISSION LINES, AND SUPPORT STRUCTURES.
- CONTRACT COMPANIES AND THEIR EMPLOYEES SHALL OBSERVE AND PRACTICE ALL O.S.H.A. SAFETY GUIDELINES WHILE PERFORMING SERVICE FOR CLEARWIRE TECHNOLOGIES, INC.
- CONTRACTOR SHALL PERFORM A SAFETY INSPECTION PRIOR TO COMMENCING ALL WORK ACTIVITIES AT A CLEARWIRE TECHNOLOGIES, INC. LEASED OR OWNED SITE. CLEARWIRE TECHNOLOGIES, INC. SHOULD BE IMMEDIATELY NOTIFIED OF SAFETY HAZARD(S) FOUND DURING THE INSPECTION THAT COULD CAUSE DAMAGE TO PROPERTY. ALL WORK SHALL BE HALTED UNTIL SUCH TIME THE REPORTED SAFETY HAZARD IS CORRECTED. THE SAFETY HAZARD, IF POSSIBLE, SHOULD BE CORRECTED BY THE CONTRACTOR WHILE ON SITE. AFTER THE CONTRACTOR HAS NOTIFIED CLEARWIRE TECHNOLOGIES, INC. OF THE HAZARD AND HAS RECEIVED APPROVAL FROM CLEARWIRE TECHNOLOGIES, INC. TO PERFORM THE CORRECTION.
- TOWER MODIFICATIONS, IF REQUIRED, ARE TO BE COMPLETED BEFORE THE INSTALLATION OF ANY EQUIPMENT.

- 1P, 2P, & 3P SINGLE POLE, TWO POLE, & THREE POLES
- A/C AIR CONDITIONING
- ADJ. ADJUSTABLE
- AFF ABOVE FINISH FLOOR
- APPROX. APPROXIMATELY
- ASTM AMERICAN SOCIETY FOR TESTING AND MATERIALS
- AWG AMERICAN WIRE GAUGE
- A. OR AMP. AMPERE
- BLDG. BUILDING
- BLK. BLOCK
- BMR BASE MOBILE RADIO
- B/S BUILDING STANDARD
- CU. COPPER
- C.O. CONDUIT ONLY
- C. CONDUIT SIZE AS NOTED
- C.B. CIRCUIT BREAKER
- CKT. CIRCUIT
- CLG. CEILING
- CLR. CLEAR
- CONC. CONCRETE
- CONST. CONSTRUCTION
- CONT. CONTINUOUS
- C.F.C.I. CONTRACTOR FURNISHED CONTRACTOR INSTALLED
- DBL. DOUBLE
- DIA. Ø DIAMETER
- DIAG. DIAGONAL
- DIM. DIMENSION
- DN. DOWN
- DTL, DETL. DETAIL
- DWG. DRAWING
- DEF. DUAL ELEMENT FUSES
- E. EAST
- EA. EACH
- EL. ELEV. ELEVATION
- ELECT. ELECTRICAL
- EQ. EQUAL
- EQUIP. EQUIPMENT
- E.W. EACH WAY
- EXIST. EXISTING
- EXT. EXTERIOR
- EMT. ELECTRICAL METALLIC TUBING (THIN WALL)
- E.C. ELECTRICAL CONTRACTOR
- EGB. EQUIPMENT GROUND BUS
- FIN. FINISH
- FLOUR. FLUORESCENT
- FLR. FLOOR
- FT. FOOT
- GRC. GALVANIZED RIGID CONDUIT
- G. OR GRD. GROUND
- GA. GAUGE
- GALV. GALVANIZE(D)
- GC. GENERAL CONTRACTOR
- GWB. GYPSUM WALL BOARD
- GYP. BD. GYPSUM BOARD
- HARD'WD. HARDWOOD
- HORIZ. HORIZONTAL
- HR. HOUR
- HT. HEIGHT
- HVAC. HEATING, VENTING AND AIR CONDITIONING
- I.D. INSIDE DIA.
- IN. INCH
- INFO. INFORMATION
- INSUL. INSULATION
- INT. INTERIOR
- KW. KILOWATTS
- LB(S) POUND(S)
- MAX. MAXIMUM
- MECH. MECHANICAL
- MET. MTL. METAL
- MFR. MANUFACTURER
- MGR. MANAGER
- MIN. MINIMUM
- MISC. MISCELLANEOUS
- MGB. MAIN GROUND BUS
- MTD. MOUNTED

- NEUT. NEUTRAL
- N. NORTH
- NA. NOT APPLICABLE
- NIC. NOT IN CONTRACT
- NTS. NOT TO SCALE
- O.F.C.I. OWNER FURNISHED, CONTRACTOR INSTALLED
- OC, o/c. ON CENTER
- OD. OUTSIDE DIAMETER
- OPG. OPENING
- OPP. OPPOSITE
- OHT/OHP. OVERHEAD TELEPHONE/OVERHEAD POWER
- OHP. OVERHEAD POWER
- OHT. OVERHEAD TELEPHONE
- PVC. SCHEDULE 40 PLASTIC CONDUIT.
- PLYWD. PLYWOOD
- PR. PAIR
- PROJ. PROJECT
- PROP. PROPERTY
- PT. PRESSURE TREATED
- RECPT. RECEPTACLE
- REQ'D. REQUIRED
- RM. ROOM
- R.O. ROUGH OPENING
- S. SOUTH
- SW. SWITCH
- SHT. SHEET
- SIM. SIMILAR
- SPEC. SPECIFICATION
- SQ. SQUARE
- SS. STAINLESS STEEL
- STL. STEEL
- STRUCT. STRUCTURAL
- SUSP. SUSPENDED
- S.V. SHEET VINYL
- THRU. THROUGH
- TNND. TINNED
- T.O.C. TOP OF CONCRETE
- T.O.M. TOP OF MASONRY
- TYP. TYPICAL
- U.O.N. UNLESS OTHERWISE NOTED
- UBC. UNIFORM BUILDING CODE
- UGP. UNDERGROUND POWER
- UGT. UNDERGROUND TELEPHONE
- VERT. VERTICAL
- VF. VERIFY IN FIELD
- VT. VINYL TILE
- W. WEST
- W/ WITH
- WIN. WINDOW
- W/O. WITHOUT
- W. WATTS
- W.P. WEATHERPROOF
- XFMR. TRANSFORMER



LANDTECH
PROFESSIONAL SURVEYING & ENGINEERING
200 AZ. CO. REG. 001016 LA. REG. 001016 MS. REG. 001016
231-943-0050 ph 231-943-0051 fax 877-520-LAND toll free
www.landtechps.com www.towersurveyors.com

clearwire TECHNOLOGIES, INC.
4400 CARILLION POINT
KIRKLAND, WA 98033
(425) 216-7600 PH
(425) 216-7900 FAX

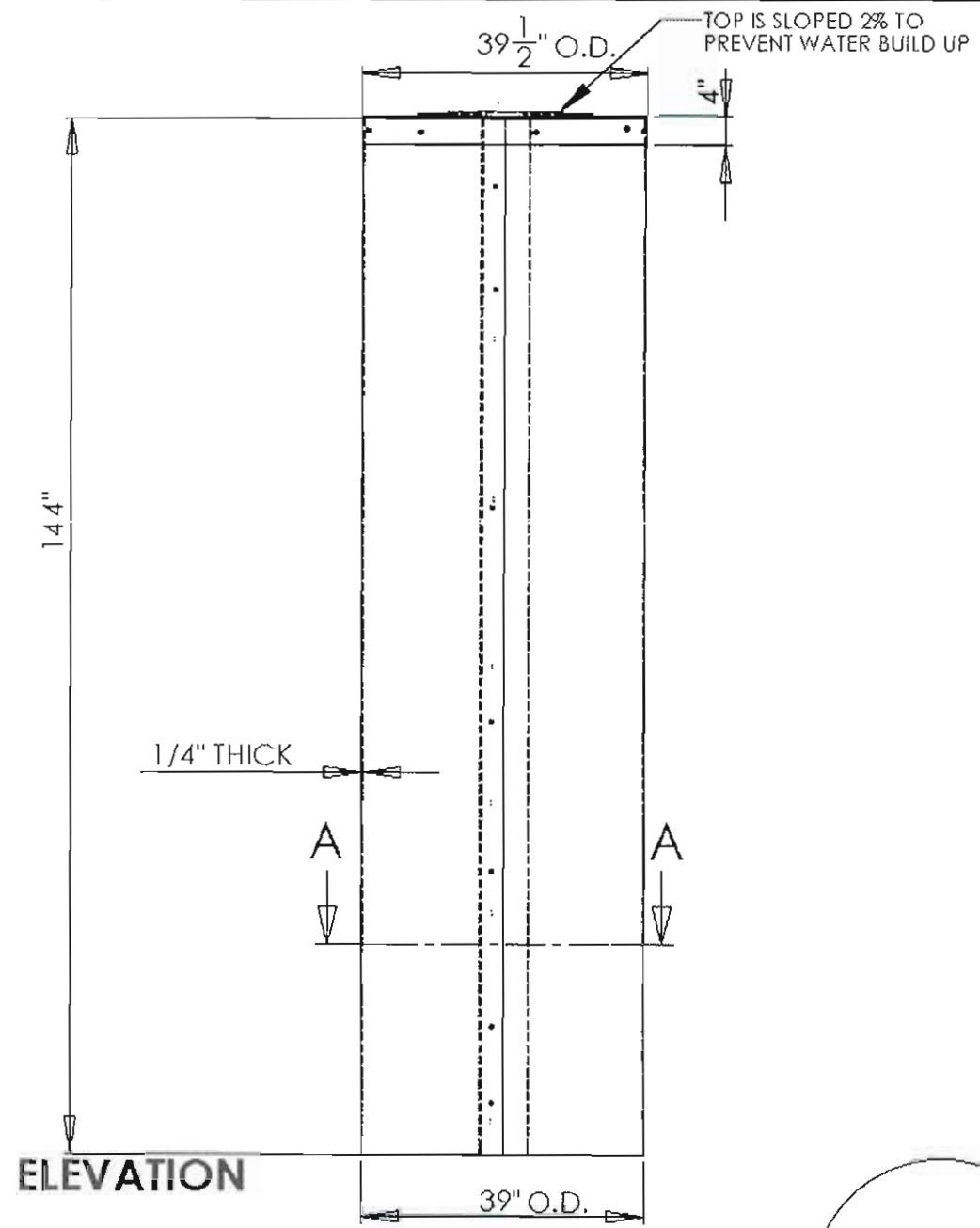
SITE ID: MO-STL0378
DRURY INN
355 E. CHESTERFIELD CENTER
CHESTERFIELD, MO 63017

NO.	DATE	REVISIONS	BY	CHK	APP'D
3	05/08/10	MOVE EQUIPMENT PLATFORM	DAM	MM	MM
2	04/22/10	BLDG ELEVATION & PARCEL PLAN PER COMMENTS	DAM	MM	MM
1	03/08/10	ADD PENTHOUSE INTERIOR HVAC COMPONENTS	DAM	MM	MM
0	02/19/10	PRELIMINARY DRAWINGS	DAM	MM	MM

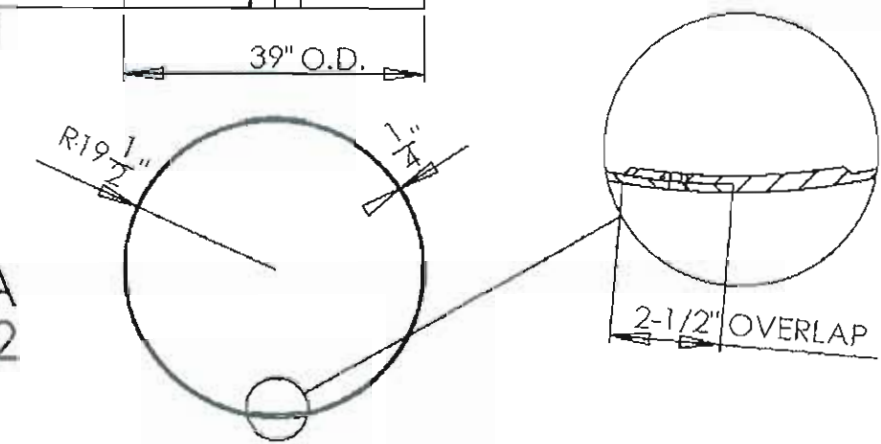
SCALE: AS SHOWN DESIGNED BY: MM

SHEET A-2
ANTENNA MOUNTING DETAILS & NOTES
DRAWING NUMBER
0938526

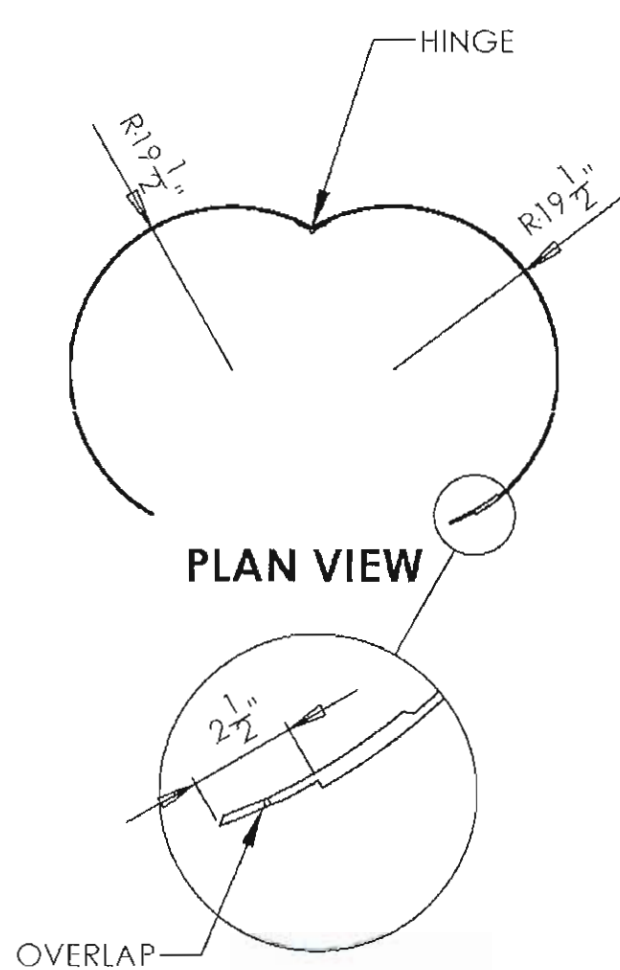
2009 CLEARWIRE. THIS DOCUMENT WAS CREATED BY LANDTECH PROFESSIONAL SURVEYING & ENGINEERING FOR CLEARWIRE. NO PART OF THIS DOCUMENT MAY BE REPRODUCED OR USED IN ANY FORM EXCEPT WITH THE WRITTEN PERMISSION OF CLEARWIRE AND LANDTECH



SECTION A-A
SCALE 1 : 22

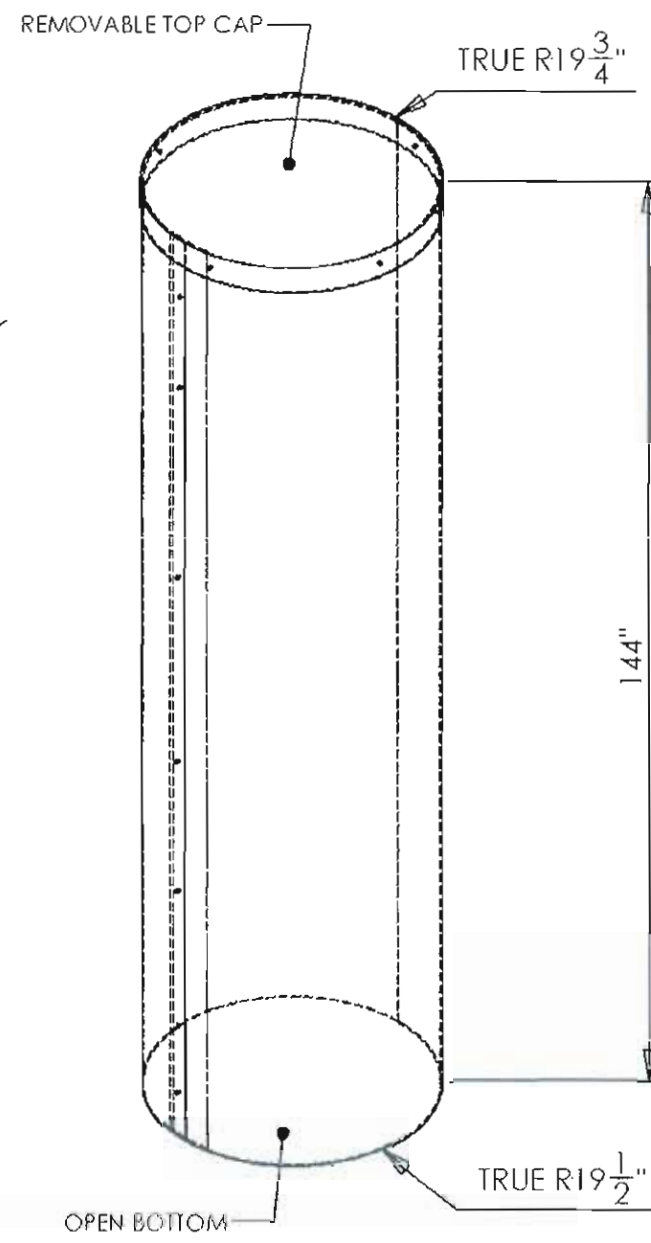


DETAIL B
SCALE 1 : 5



PLAN VIEW

DETAIL C
SCALE 1 : 5



ISOMETRIC VIEW

PROPRIETARY AND CONFIDENTIAL
THE INFORMATION CONTAINED IN THIS DRAWING IS THE SOLE PROPERTY OF PEABODY ENGINEERING. ANY REPRODUCTION, IN PART OR AS A WHOLE WITHOUT THE WRITTEN PERMISSION OF PEABODY ENGINEERING IS PROHIBITED.

UNLESS OTHERWISE SPECIFIED:		NAME	DATE
DIMENSIONS ARE IN INCHES	DRAWN	ATC	
TOLERANCES: 1/4"	CHECKED		
FRACTIONAL	ENG APPR		
ANGULAR: MINUS ± BEND ±	ATC APPR		
TWO PLACE DECIMAL ±			
THREE PLACE DECIMAL ±			
INTERPRET GEOMETRIC TOLERANCING PER:	D.A.		
MATERIAL: WIRESCREEN	FOR: LANDTECH		
FINISH: SMOOTH TEXTURE AND PAINTED			
DO NOT SCALE DRAWING			

TITLE:		
SIZE	DWG. NO.	REV
B		
SCALE: 1:50	WEIGHT:	SHEET 1 OF 3

LANDTECH
PROFESSIONAL SURVEYING & ENGINEERING
231-943-0050 pht 231-943-0051 fax 877-520-LAND toll free
www.landtechps.com www.towersurveyors.com

clearwire[®]
TECHNOLOGIES, INC.
4400 CARILLION POINT
KIRKLAND, WA 98033
(425) 216-7600 PH
(425) 216-7900 FAX

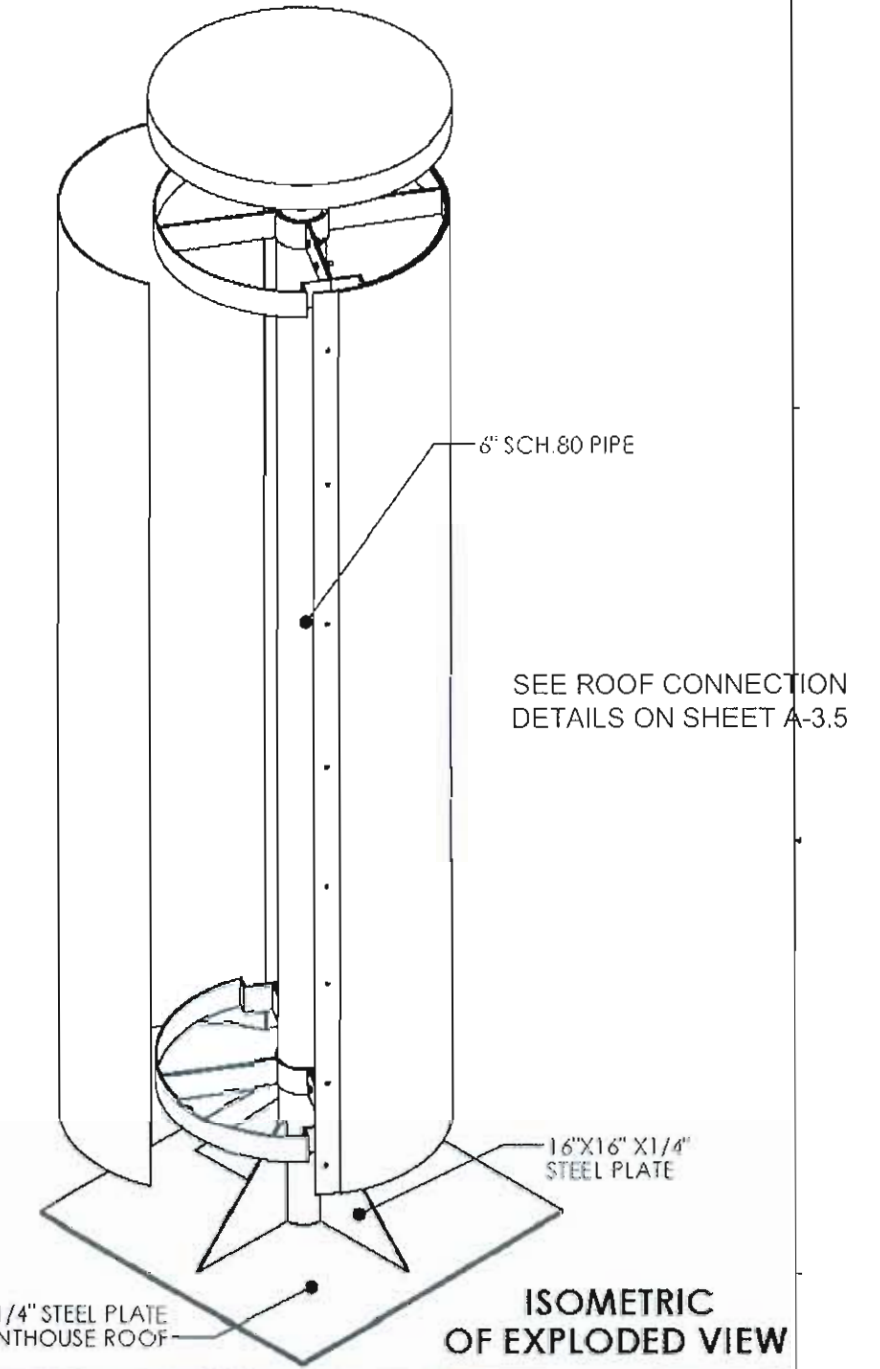
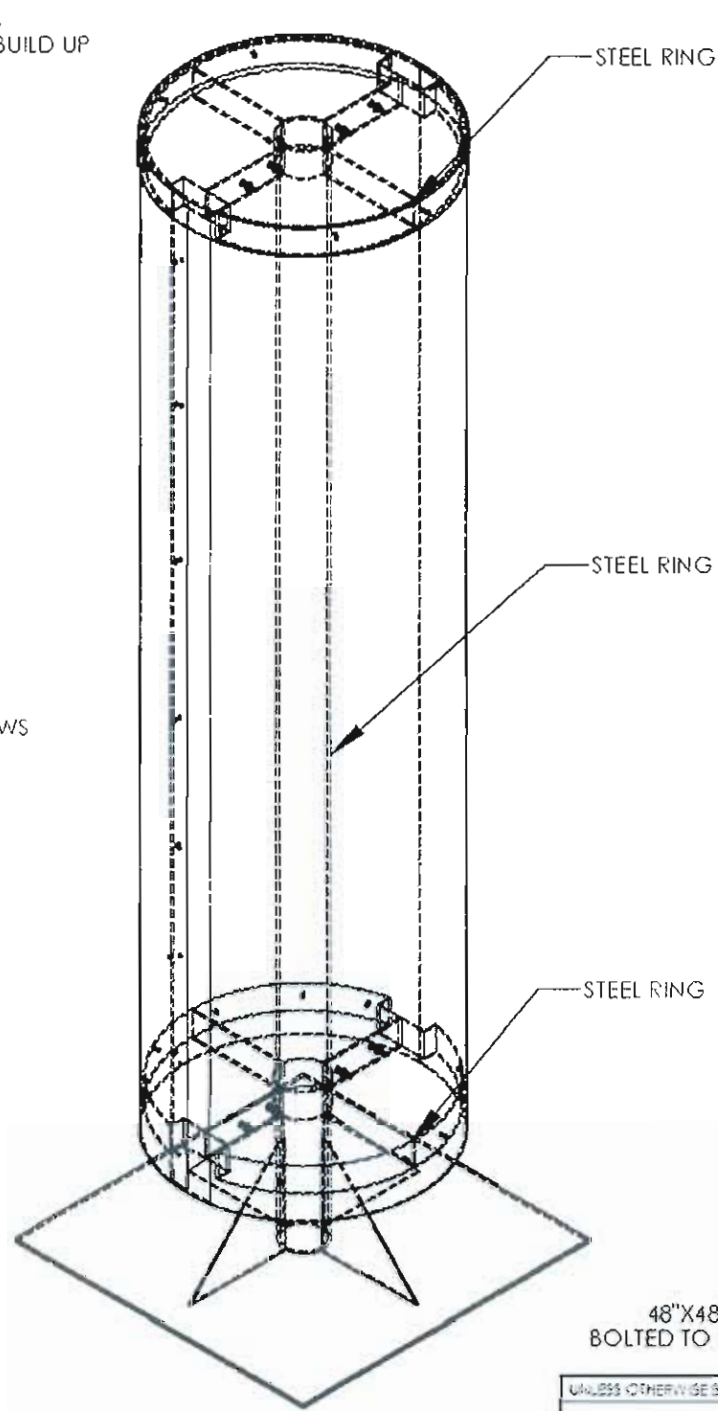
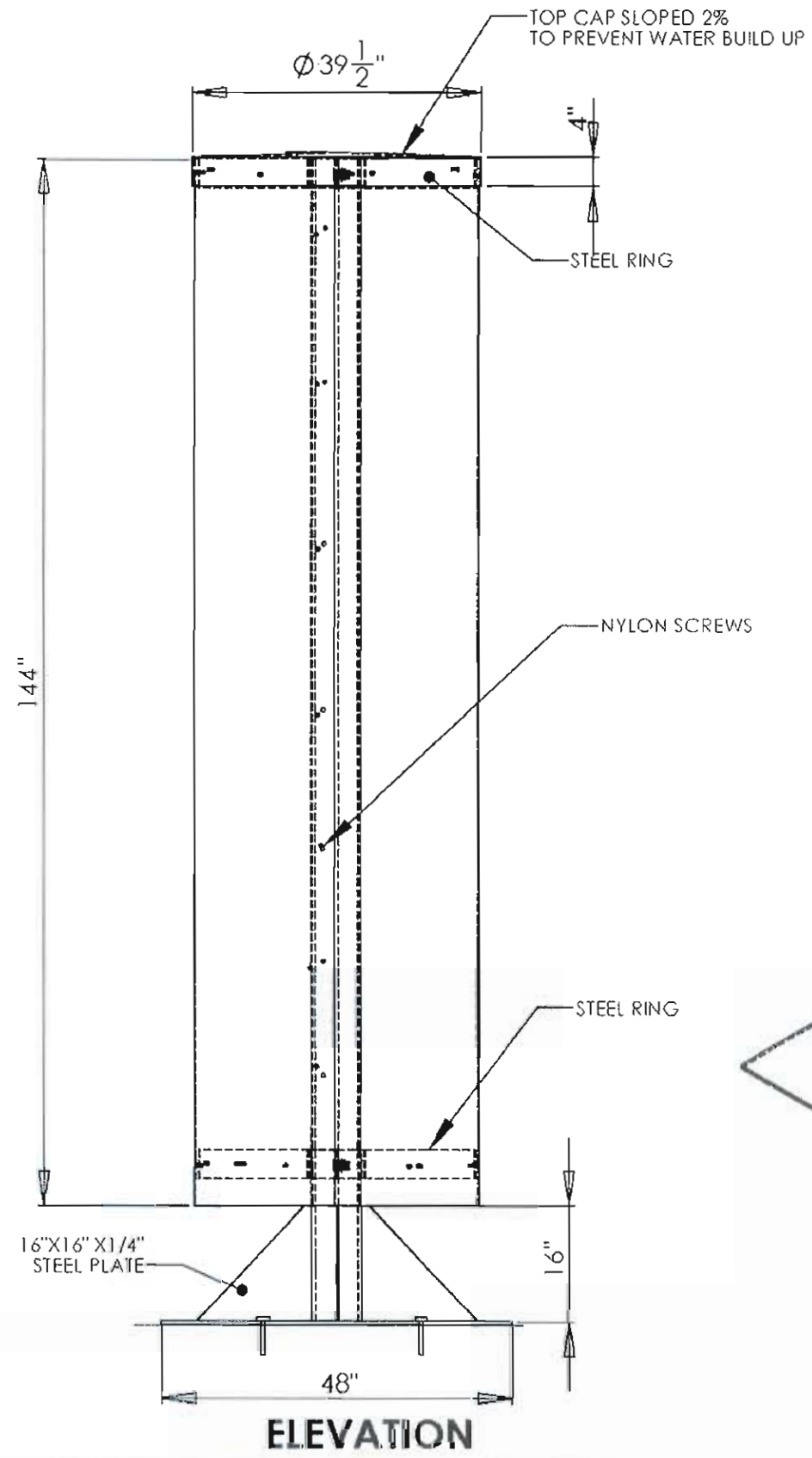
SITE ID: MO-STL0378
DRURY INN
355 E. CHESTERFIELD CENTER
CHESTERFIELD, MO 63017

NO.	DATE	REVISIONS	BY	CHK	APP'D
3	05/08/10	MOVE EQUIPMENT PLATFORM			
2	04/22/10	BLOC ELEVATION & PARCEL PLAN PER COMMENTS			
1	03/08/10	ADD PENTHOUSE INTERIOR HVAC COMPONENTS			
0	02/19/10	PRELIMINARY DRAWINGS			

SCALE: AS SHOWN DESIGNED BY: MM

SHEET A-3
ANTENNA SHROUD
SECTIONS & DETAILS
DRAWING NUMBER
0938526

2009 CLEARWIRE. THIS DOCUMENT WAS CREATED BY LANDTECH PROFESSIONAL SURVEYING & ENGINEERING FOR CLEARWIRE. NO PART OF THIS DOCUMENT MAY BE REPRODUCED OR USED IN ANY FORM EXCEPT WITH THE WRITTEN PERMISSION OF CLEARWIRE AND LANDTECH



ISOMETRIC VIEW

ISOMETRIC OF EXPLODED VIEW

PROPRIETARY AND CONFIDENTIAL
 THE INFORMATION CONTAINED IN THIS DRAWING IS THE SOLE PROPERTY OF PEABODY ENGINEERING. ANY REPRODUCTION IN PART OR AS A WHOLE WITHOUT THE WRITTEN PERMISSION OF PEABODY ENGINEERING IS PROHIBITED.

UNLESS OTHERWISE SPECIFIED:		NAME	DATE
DIMENSIONS ARE IN INCHES	DRAWN	ATC	
TOLERANCES UNLESS OTHERWISE SPECIFIED:	CHECKED		
FRACTIONAL ±	ENG APPR.		
ANGULAR ±	APP'D		
TWO PLACE DECIMAL ±			
THREE PLACE DECIMAL ±			
INTERFERE GEOMETRIC TOLERANCES PER:	COMMENTS:		
MATERIAL FIBERSCREEN			
FINISH SMOOTH TEXTURE AND PAINTED			
DID NOT SCALE DRAWING			

TITLE:		
SIZE B	DWG. NO.	REV
SCALE: 1:50	WEIGHT:	SHEET 2 OF 3

LANDTECH
 PROFESSIONAL SURVEYING & ENGINEERING
 231-943-0050 ph 231-943-0051 fax 877-520-LAND toll free
 www.landtechps.com www.towersurveyors.com

clearwire TECHNOLOGIES, INC.
 4400 CARILLION POINT
 KIRKLAND, WA 98033
 (425) 216-7600 PH
 (425) 216-7900 FAX

SITE ID: MO-STL0378
 DRURY INN
 355 E. CHESTERFIELD CENTER
 CHESTERFIELD, MO 63017

NO.	DATE	REVISIONS	BY	CHK	APP'D
3	05/08/10	MOVE EQUIPMENT PLATFORM			
2	04/22/10	BLDG ELEVATION & PARCEL PLAN PER COMMENTS			
1	03/08/10	ADD PENTHOUSE INTERIOR HVAC COMPONENTS			
0	02/19/10	PRELIMINARY DRAWINGS			

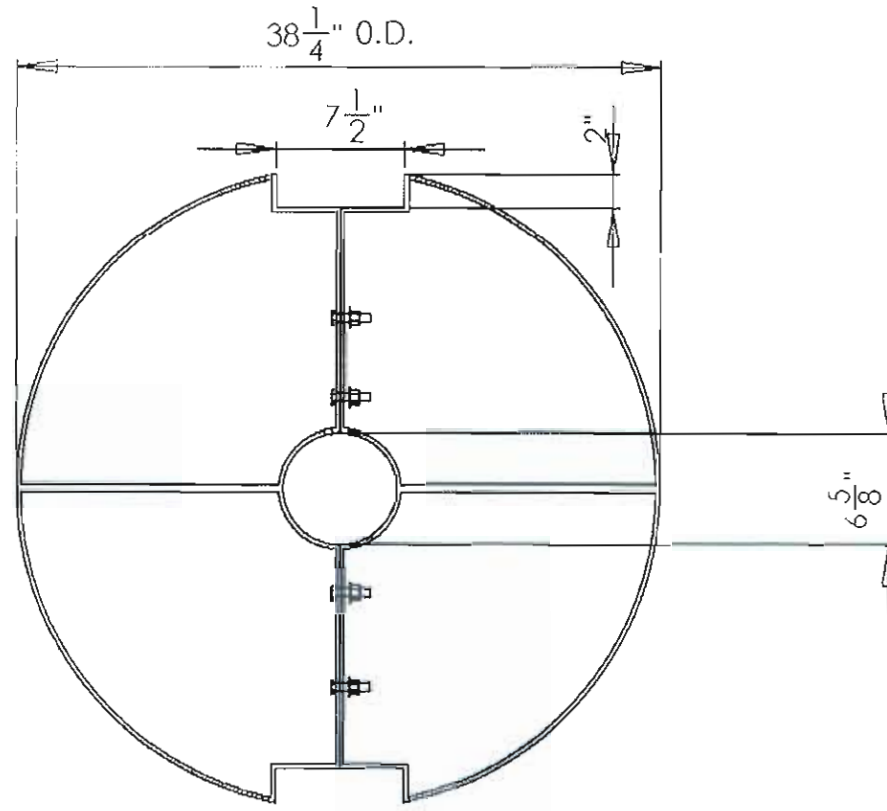
SCALE: AS SHOWN DESIGNED BY: MM

SHEET A-3.1
 ANTENNA SHROUD
 SECTIONS & DETAILS
 DRAWING NUMBER
 0938526

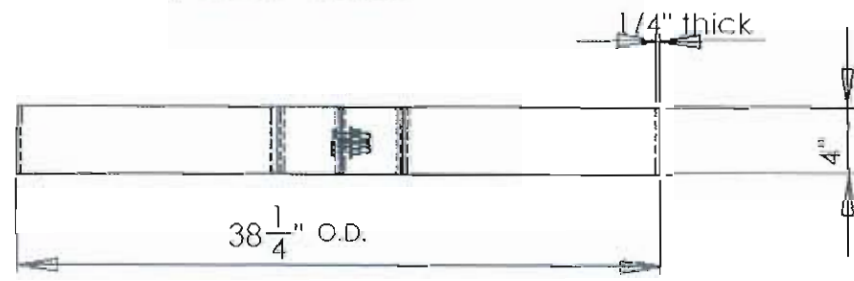
2009 CLEARWIRE. THIS DOCUMENT WAS CREATED BY LANDTECH PROFESSIONAL SURVEYING & ENGINEERING FOR CLEARWIRE. NO PART OF THIS DOCUMENT MAY BE REPRODUCED OR USED IN ANY FORM EXCEPT WITH THE WRITTEN PERMISSION OF CLEARWIRE AND LANDTECH

SEE ROOF CONNECTION
DETAILS ON SHEET A-3.5

NOTE: 2- PIECE ASSEMBLY

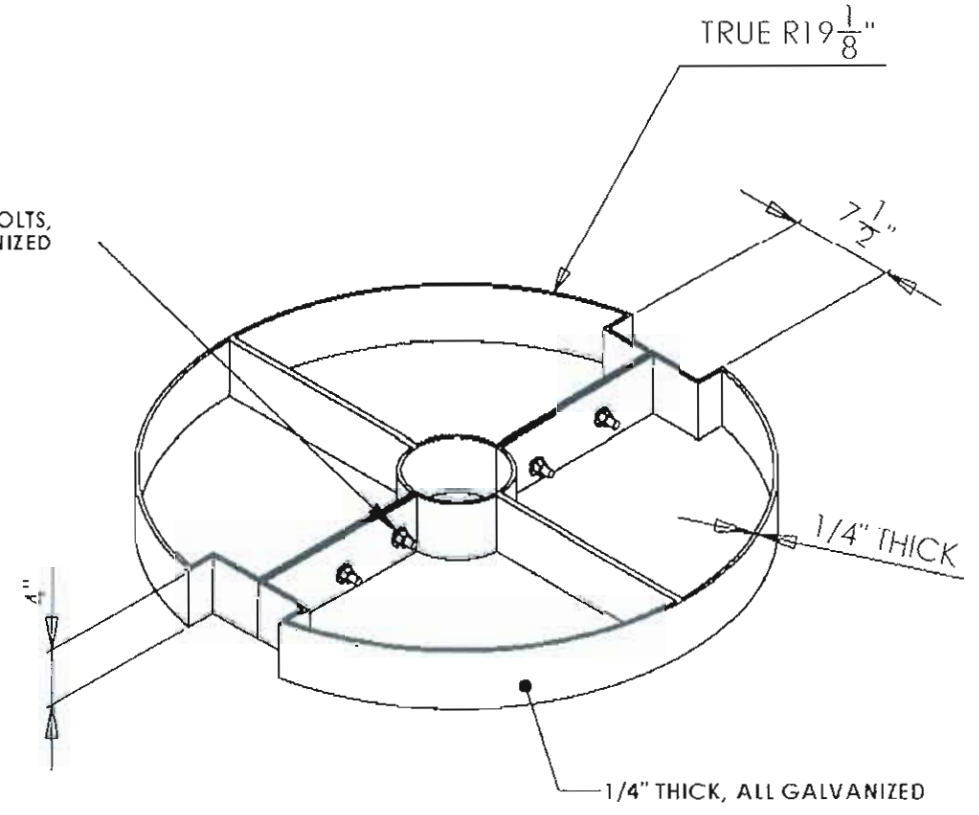


PLAN VIEW



ELEVATION

1/2" STEEL BOLTS,
ALL GALVANIZED



ISOMETRIC VIEW

PROPRIETARY AND CONFIDENTIAL
THE INFORMATION CONTAINED IN THIS DRAWING IS THE JOINT PROPERTY OF PEABODY ENGINEERING, ANY REPRODUCTION IN PART OR AS A WHOLE WITHOUT THE WRITTEN PERMISSION OF PEABODY ENGINEERING IS PROHIBITED.

UNLESS OTHERWISE SPECIFIED:	NAME	DATE
DIMENSIONS ARE IN INCHES	DRW	02/28/10
TOLERANCES: 1/4	CHK	
FRACTIONALS	ENG APPR.	
ANGULAR: MAJOR ± 30.00	MG APPR.	
MINOR PLACE DECIMAL ±	COM	
THREE PLACE DECIMAL ±	COMMENTS	
MATERIAL		
FIBERSCREEN		
FINISH		
SMOOTH TEXTURE AND PAINTED		
DONOR SCALE DRAWING		

PEABODY ENGINEERING		
TITLE:		
SIZE	STEEL RINGS	REV
B		
SCALE: 1:10	WEIGHT:	SHEET 3 OF 3

LANDTECH
PROFESSIONAL SURVEYING & ENGINEERING
231-943-0050 ph 231-943-0951 fax 877-520-LAND toll free
www.landtechps.com www.lowerurveyors.com

clearwire
TECHNOLOGIES, INC.
4400 CARILLION POINT
KIRKLAND, WA 98033
(425) 216-7600 PH
(425) 216-7900 FAX

SITE ID: MO-STL0378
DRURY INN
355 E. CHESTERFIELD CENTER
CHESTERFIELD, MO 63017

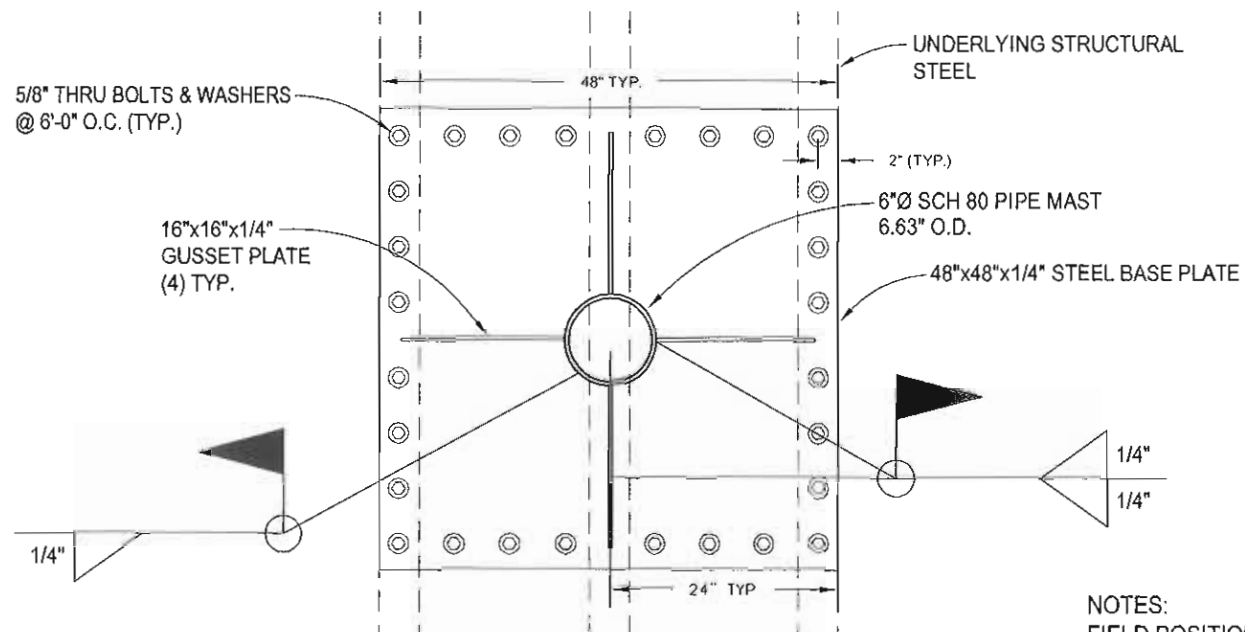
NO.	DATE	REVISIONS	BY	CHK	APP'D
3	05/08/10	MOVE EQUIPMENT PLATFORM			
2	04/22/10	BLDG ELEVATION & PARALLEL PLAN PER COMMENTS			
1	03/08/10	ADD PENTHOUSE INTERIOR HVAC COMPONENTS			
0	02/19/10	PRELIMINARY DRAWINGS			
SCALE: AS SHOWN		DESIGNED BY: MM			

SHEET A-3.3
ANTENNA SHROUD
SECTIONS & DETAILS
DRAWING NUMBER
0938526

2009 CLEARWIRE. THIS DOCUMENT WAS CREATED BY LANDTECH PROFESSIONAL SURVEYING & ENGINEERING FOR CLEARWIRE. NO PART OF THIS DOCUMENT MAY BE REPRODUCED OR USED IN ANY FORM EXCEPT WITH THE WRITTEN PERMISSION OF CLEARWIRE AND LANDTECH

GENERAL NOTES:

1. THE BASIC WIND SPEED UTILIZED FOR OUTDOOR EQUIPMENT CABINETS IS 90 MPH PER IBC (LATEST EDITION.)
2. INFORMATION SHOWN ON THESE DRAWINGS WAS OBTAINED BY FIELD MEASUREMENTS. THE GENERAL CONTRACTOR SHALL VERIFY ALL EXISTING CONDITIONS AND NOTIFY THE ENGINEER OF ANY DISCREPANCIES PRIOR TO ORDERING MATERIALS OR PROCEEDING WITH CONSTRUCTION.
3. THE GENERAL CONTRACTOR AND HIS SUBCONSULTANTS SHALL BE RESPONSIBLE FOR OBTAINING ALL PERMITS AND INSPECTIONS WHICH MAY BE REQUIRED FOR THE WORK.
4. STRUCTURAL STEEL SHALL CONFORM TO THE LATEST EDITION OF THE AISC SPECIFICATIONS FOR STRUCTURAL STEEL BUILDINGS. ALLOWABLE STRESS DESIGN AND PLASTIC DESIGN INCLUDING THE COMMENTARY AND THE AISC CODE OF STANDARD PRACTICE.
5. STRUCTURAL STEEL PLATES AND SHAPES SHALL CONFORM TO ASTM A36. ALL STRUCTURAL STEEL PIPES SHALL CONFORM TO ASTM A53 GRADE B. ALL STRUCTURAL STEEL TUBING SHALL CONFORM TO ASTM A500 GRADE B. ALL STRUCTURAL STEEL COMPONENTS AND FABRICATED ASSEMBLIES SHALL BE HOT DIP GALVANIZED AFTER FABRICATION.
6. ALL THREADED STRUCTURAL FASTENERS FOR ANTENNA SUPPORT ASSEMBLIES SHALL CONFORM TO ASTM A307 OR ASTM A36. ALL STRUCTURAL FASTENERS FOR STRUCTURAL STEEL FRAMING SHALL CONFORM TO ASTM A325. FASTENERS SHALL BE 5/8" MIN. DIAMETER BEARING TYPE CONNECTIONS WITH THREADS EXCLUDED IN THE SHEAR PLANE. ALL EXPOSED FASTENERS, NUTS, AND WASHERS SHALL BE GALVANIZED UNLESS NOTED OTHERWISE. CONCRETE EXPANSION ANCHORS SHALL BE HILTI KWIK BOLTS UNLESS NOTED OTHERWISE. ALL ANCHORS INTO CONCRETE SHALL BE STAINLESS STEEL.
7. ALL COAX CABLE CONNECTORS AND TRANSMITTER EQUIPMENT SHALL BE AS SPECIFIED BY THE OWNER AND IS NOT INCLUDED IN THESE CONSTRUCTION DOCUMENTS. THE CONTRACTOR SHALL FURNISH ALL CONNECTION HARDWARE REQUIRED TO SECURE THE CABLES. FOR GUYED AND SELF SUPPORT TOWERS, THE ETHERNET CABLES SHALL BE ATTACHED TO 2" FLEX CONDUIT TO THE TOWER WAVEGUIDE LADDER USING STAINLESS STEEL HARDWARE. ZIP TIES ARE NOT PERMITTED UNDER ANY CIRCUMSTANCE. FOR MONOPOLE TOWERS, THE ETHERNET CABLES SHALL BE ROUTED INSIDE THE TOWER (OR AS PER STRUCTURAL REPORT) AND WITHIN (1) 2" INNERDUCT CONDUIT.
8. NORTH ARROW ON PLANS REFERS TO TRUE NORTH. CONTRACTOR SHALL VERIFY NORTH AND INFORM ENGINEER ANY DISCREPANCY BEFORE STARTING CONSTRUCTION.
9. ALL REINFORCING STEEL SHALL CONFORM TO ASTM 615 GRADE 60. DEFORMED BILLET STEEL BARS.
10. LUMBER SHALL COMPLY WITH THE REQUIREMENTS OF AMERICAN INSTITUTE OF TIMBER CONSTRUCTION AND THE NATIONAL FOREST PRODUCTS ASSOCIATION'S NATIONAL DESIGN SPECIFICATION FOR WOOD CONSTRUCTION. ALL LUMBER SHALL BE PRESSURE TREATED AND SHALL BE STRUCTURED GRADE No. 2 OR BETTER.
11. IT IS THE RESPONSIBILITY TO VERIFY THE STRUCTURAL CAPACITY OF THE EXISTING TOWER AND ITS FOUNDATION TO RESIST THE WIND/GRAVITY LOADS FROM THE PROPOSED ANTENNAS.
12. ALL FIELD CUT METAL WILL BE SCRAPED OF ANY RUST AND COLD GALVANIZED.
13. RUBBER CAPS WILL BE PLACED ON ALL EXPOSED UNISTRUT ENDS.
14. EXISTING PENTHOUSE ROOF IS ASSUMED METAL AND IN GOOD CONDITION. IF DURING CONSTRUCTION, THE EXISTING ROOF IS FOUND TO BE IN QUESTIONABLE OR DETERIORATED CONDITION, THE ENGINEER MUST BE CONTACTED.
15. ALL WELDING SHALL BE DONE USING E70XX ELECTRODES AND WELDING SHALL CONFORM TO AISC AND AWG D1.1. WHERE FILLET WELD SIZES ARE NOT SHOWN, PROVIDE THE MINIMUM SIZE PER TABLE J2.4 IN THE AISC "MANUAL OF STEEL CONSTRUCTION," 9TH EDITION. AT THE COMPLETION OF WELDING, ALL DAMAGE TO GALVANIZED COATING SHALL BE REPAIRED USING COLD GALVANIZER.



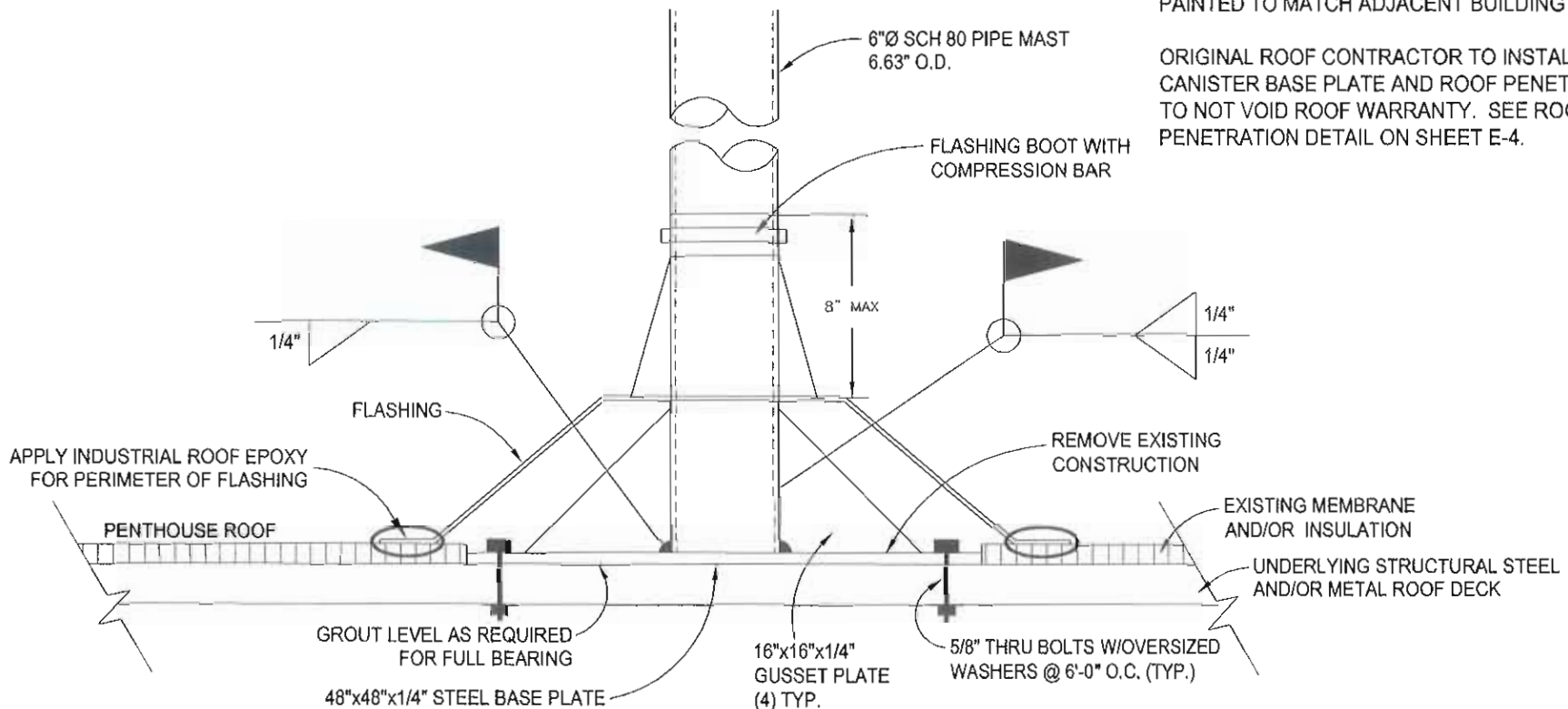
PIPE MAST BASE PLATE DETAIL

NO SCALE

NOTES:
FIELD POSITION ANTENNA CANISTER ON PENTHOUSE ROOF SO THAT BASE PLATE SPANS UNDERLYING STRUCTURAL STEEL MEMBERS.

ANY ITEMS VISIBLE FROM THE EXTERIOR SHALL BE PAINTED TO MATCH ADJACENT BUILDING MATERIALS.

ORIGINAL ROOF CONTRACTOR TO INSTALL ANTENNA CANISTER BASE PLATE AND ROOF PENETRATION SO AS TO NOT VOID ROOF WARRANTY. SEE ROOF COAX PENETRATION DETAIL ON SHEET E-4.



PIPE MAST CONNECTION DETAIL

NO SCALE

LANDTECH
PROFESSIONAL SURVEYING & ENGINEERING
231-943-0050 pfx 231-943-0051 fax 877-520-LAND toll free
www.landtechps.com www.towersurveyors.com

clearwire
TECHNOLOGIES, INC.
4400 CARILLION POINT
KIRKLAND, WA 98033
(425) 216-7600 PH
(425) 216-7900 FAX

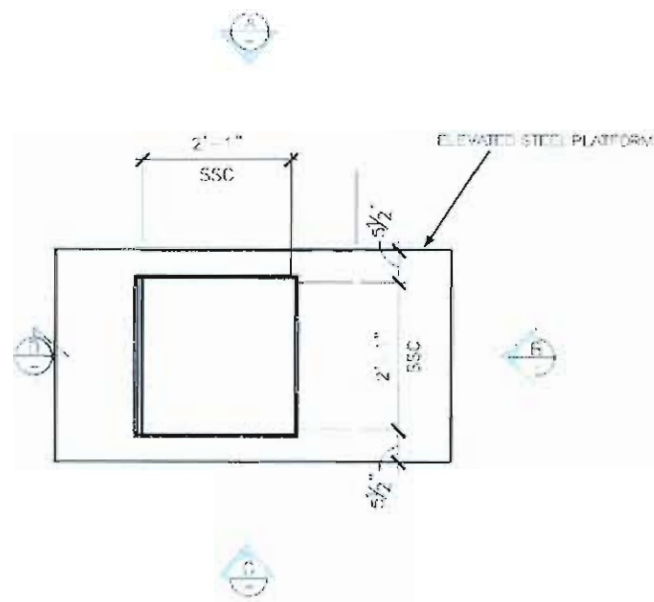
SITE ID: MO-STL0378
DRURY INN
355 E. CHESTERFIELD CENTER
CHESTERFIELD, MO 63017

NO.	DATE	REVISIONS	BY	CHK	APP'D
3	05/08/10	MOVE EQUIPMENT PLATFORM	DAM	MM	MM
2	04/22/10	BLDG ELEVATION & PARCEL PLAN PER COMMENTS	DAM	MM	MM
1	03/08/10	ADD PENTHOUSE INTERIOR HVAC COMPONENTS	DAM	MM	MM
0	02/19/10	PRELIMINARY DRAWINGS	DAM	MM	MM

SCALE: AS SHOWN DESIGNED BY: MM

SHEET A-3.5
PIPE MAST CONNECTION DETAILS
DRAWING NUMBER
0938526

2009 CLEARWIRE. THIS DOCUMENT WAS CREATED BY LANDTECH PROFESSIONAL SURVEYING & ENGINEERING FOR CLEARWIRE. NO PART OF THIS DOCUMENT MAY BE REPRODUCED OR USED IN ANY FORM EXCEPT WITH THE WRITTEN PERMISSION OF CLEARWIRE AND LANDTECH



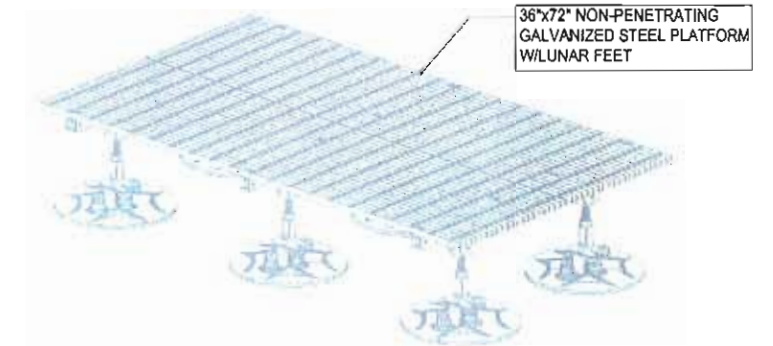
NOTE:
VERIFY ALL DIMENSIONS AND
CABINET MODEL NUMBER PRIOR
TO CONSTRUCTION.

EQUIPMENT PLAN
SCALE: 3/8"=1'-0"
A-4

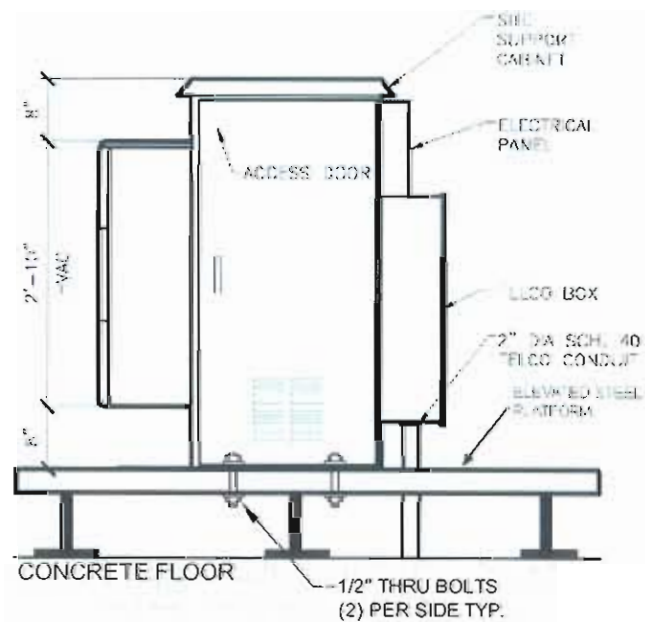
NOTE:
SPECIFIC EQUIPMENT CABINET
MODEL TO BE DETERMINED.



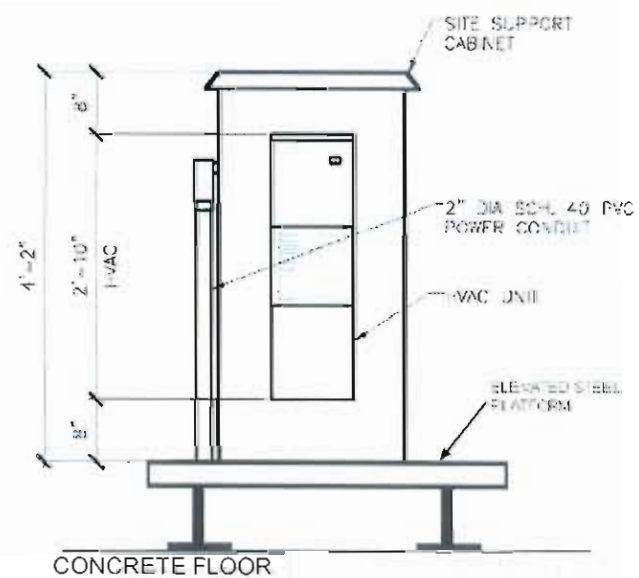
CABINET PHOTOS



36"x72" PLATFORM DETAIL
SCALE: N.T.S.
A-3

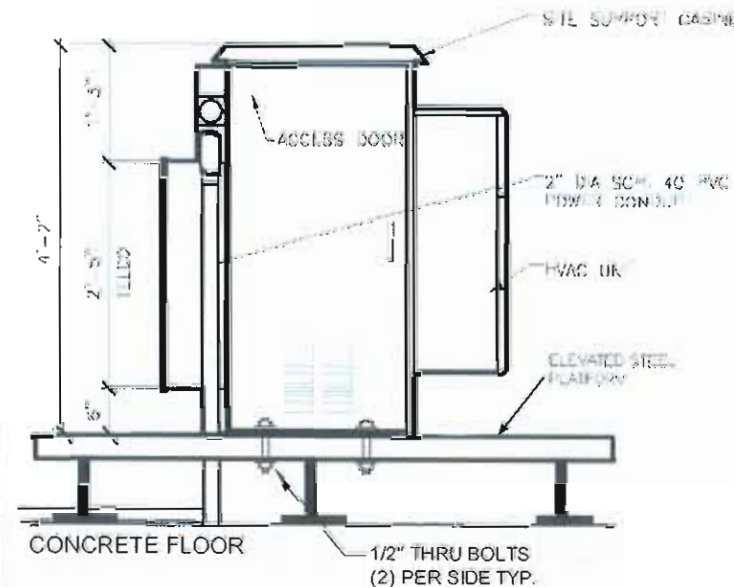


CABINET MOUNTING DETAIL
SCALE: 1/2"=1'-0"
A-4



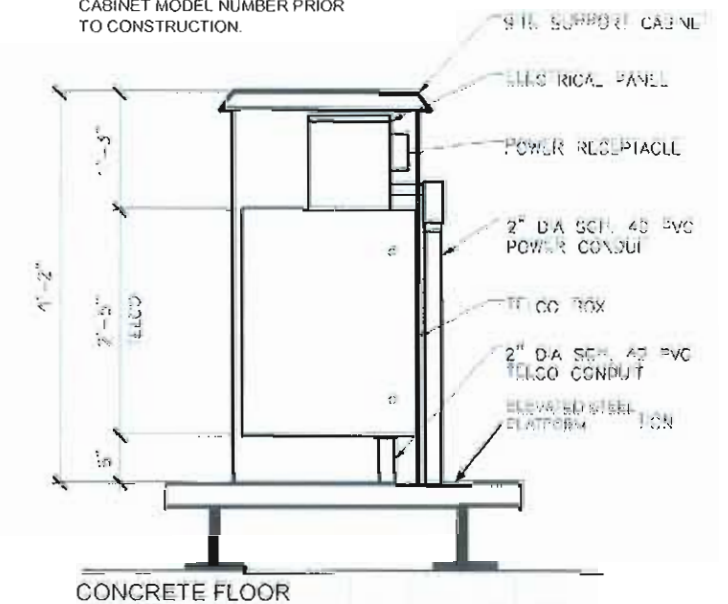
CABINET MOUNTING DETAIL
SCALE: 1/2"=1'-0"
A-4

NOTE:
SPECIFIC EQUIPMENT CABINET
MODEL TO BE DETERMINED.



CABINET MOUNTING DETAIL
SCALE: 1/2"=1'-0"
A-4

NOTE:
VERIFY ALL DIMENSIONS AND
CABINET MODEL NUMBER PRIOR
TO CONSTRUCTION.



CABINET MOUNTING DETAIL
SCALE: 1/2"=1'-0"
A-4

LANDTECH
PROFESSIONAL SURVEYING & ENGINEERING
231-943-0050 ph 231-943-0051 fax 877-520-LAND toll free
www.landtechps.com www.lowerurveyors.com

clearwire
TECHNOLOGIES, INC.
4400 CARILLION POINT
KIRKLAND, WA 98033
(425) 216-7600 PH
(425) 216-7900 FAX

SITE ID: MO-STL0378
DRURY INN
355 E. CHESTERFIELD CENTER
CHESTERFIELD, MO 63017

NO.	DATE	REVISIONS	BY	CHK	APP'D
3	05/08/10	MOVE EQUIPMENT PLATFORM	DAM	MM	MM
2	04/22/10	BLOG ELEVATION & PARCEL PLAN PER COMMENTS	DAM	MM	MM
1	03/08/10	ADD PENTHOUSE INTERIOR HVAC COMPONENTS	DAM	MM	MM
0	02/19/10	PRELIMINARY DRAWINGS	DAM	MM	MM

SCALE: AS SHOWN DESIGNED BY: MM

SHEET A-4
EQUIPMENT DETAILS
DRAWING NUMBER
0938526

2009 CLEARWIRE. THIS DOCUMENT WAS CREATED BY LANDTECH PROFESSIONAL SURVEYING & ENGINEERING FOR CLEARWIRE. NO PART OF THIS DOCUMENT MAY BE REPRODUCED OR USED IN ANY FORM EXCEPT WITH THE WRITTEN PERMISSION OF CLEARWIRE AND LANDTECH

(S: Site ID) **MO-STL0378** (S: Site Name) **52470**

Identification

C: Candidate ID
C: Candidate Rank
C: Candidate Status

Mkt: Market Name	St Louis, MO
Clus: Cluster	St Louis
Clus: Cluster CMA	11

Location

C: Address	355 E Chesterfield Center	C: Jurisdiction	Chesterfield	C: Latitude	38.662666
C: City	Chesterfield	C: County	St Louis County	C: Longitude	-90.561
C: ZIP	63017	C: State	MO		

Project Information

Prj: Project ID	MO-STL_Phase1
Prj: Project Status	Build
Workplan Template	S: WPT: New Site Build Large Market

Access

C: Directions

From St. Louis Lambert Airport: Take Hwy 70 West to 270 South. Follow to Hwy 40 West to Olive Blvd, make a left where road changes Clarkson and the Drury Inn is on your left.

C: Special Access

Will need to setup an appointment before visiting the building

C: After Hours Access

C: Gate Combination

C: Cabinet Combination

C: Generator Access

Site Details

S: Site Status
S: Site Designation
S: Current Technology
S: RF Site Type
S: BH Site Type
S: POP Site Type

Build
New Site Build
WiMax
RF Site
Spur Site
No POP

C: Structure Type
C: Structure Height (ft)
S: Equipment Manufacture
S: Equipment Type
S: Equipment Location
C: Power Meter Number

Tl-Building
100
DAP

C: Comm DNS Name
C: Digi Phone #
C: Digi Request Activation?
C: Digi SIM #
C: Digi Status

C: LAN IP
C: WAN IP
C: Working POTs or Circuit ID at site

Contact Information

C: Access Contact Name

Vince Miller

C: Property Owner

Drury Plaza Chesterfield LLP

A: C: Access/NOC Number

S: Field Tech

S: RF Engineer

Jason Gibbs

C: Access Contact Number

314-423-6698

C: Property Contact Name

Vince Miller

C: Telco carrier

S: Field Tech Phone

S: RF Engineer Phone

LA: Landlord Contact Name

Private LL

C: Property Contact Phone

314-423-6698

C: Telco Company Contact #

S: Ops Manager

S: BF Engineer

LA: Landlord Contact Number

IC: Outage Contact 1

C: Fiber carrier

S: Ops Manager Phone

S: BF Engineer Phone

Michael D Moore

C: MLA Owner (1st lease)

IC: Outage Contact 2

C: Fiber Company Contact #

S: Project Manager

S: BH Project Manager

C: MLA Site ID

IC: Outage Contact 3

S: Leasing Specialist

S: Project Manager Phone

S: BH PM Phone

C: MLA Contact Name

C: Power Company

Ameren UE

S: Leasing Specialist Phone

S: Construction Specialist

Lonnie Berg

C: Facility Engineer

C: MLA Contact Phone

C: Power Company Contact #

314-342-1111

S: Leasing Specialist Phone

S: Construction Specialist Phone

314-780-6022

C: Fac Eng: Phone

RF Information

RF: ID	RF: Sector ID	RF: Sector Status	RF: RAD Ctr AGL (ft)	RF: Sector Azimuth	RF: Elec. Tilt	RF: Mech. Tilt	RF: Antenna Make/Model	Chan: Channel ID	Chan: Channel Number	Chan: Frequency	RF: Ret Installed	RF: Ret Quantity	RF: Available Channels	RF: Sector Width	RF: Technology	RF: Polarization	RF: Antenna Gain (dBi)
MO-STL0378-a-23991	A1	Build	90	345	0	0	LLPX310R 66deg XX-pol Argus	1		2499000			1-3	65	WIMAX Motorola	Quad	17.7
MO-STL0378-a-24150	B1	Build	90	120	-7	0	LLPX310R 66deg XX-pol Argus	3		2510250			1-3	65	WIMAX Motorola	Quad	17.7
MO-STL0378-a-24309	C1	Build	90	240	-1	0	LLPX310R 66deg XX-pol Argus	2		2504750			1-3	65	WIMAX Motorola	Quad	17.7

MW Interconnect Information

Site ID	Cand ID	Backhaul Site Type	Link ID	Link Status	Link Type	Distance	Designed to Capacity	Configured Capacity	MW Vendor	Radio Model	Modem Type	Freq Band	AGL	Azimuth	Antenna Model	Antenna Size	Equip Config	Sub Band	TX Type	TX Power (dBm)	Polarization	Target RSL	EIRP	TX Freq 1	TX Freq 2
MO-STL052	a	Access Ring	0000047301	Build	MW-Unlicensed	1.767	108		Redline	AN-80i	Integrated	5.8	90	282.6856	Andrew FPA5150-16-16"	6" (0.1524m)	ODU RF/Modem			16	Horizontal	-56.45	32		

Clearvision Site Data Report
Report Date: 2010-2-18

MO-STL0378
(S: Site ID)

52470
(S: Site Name)



4400 CARILLION POINT
KIRKLAND, WA 98033
(425) 216-7600 PH
(425) 216-7900 FAX

SITE ID: MO-STL0378
DRURY INN
355 E. CHESTERFIELD CENTER
CHESTERFIELD, MO 63017

NO.	DATE	REVISIONS	BY	CHK	APP'D
3	05/08/10	MOVE EQUIPMENT PLATFORM	DAM	MM	MM
2	04/22/10	BLOG ELEVATION & PARCEL PLAN PER COMMENTS	DAM	MM	MM
1	03/08/10	ADD PENTHOUSE INTERIOR HVAC COMPONENTS	DAM	MM	MM
0	02/19/10	PRELIMINARY DRAWINGS	DAM	MM	MM

SHEET A-5

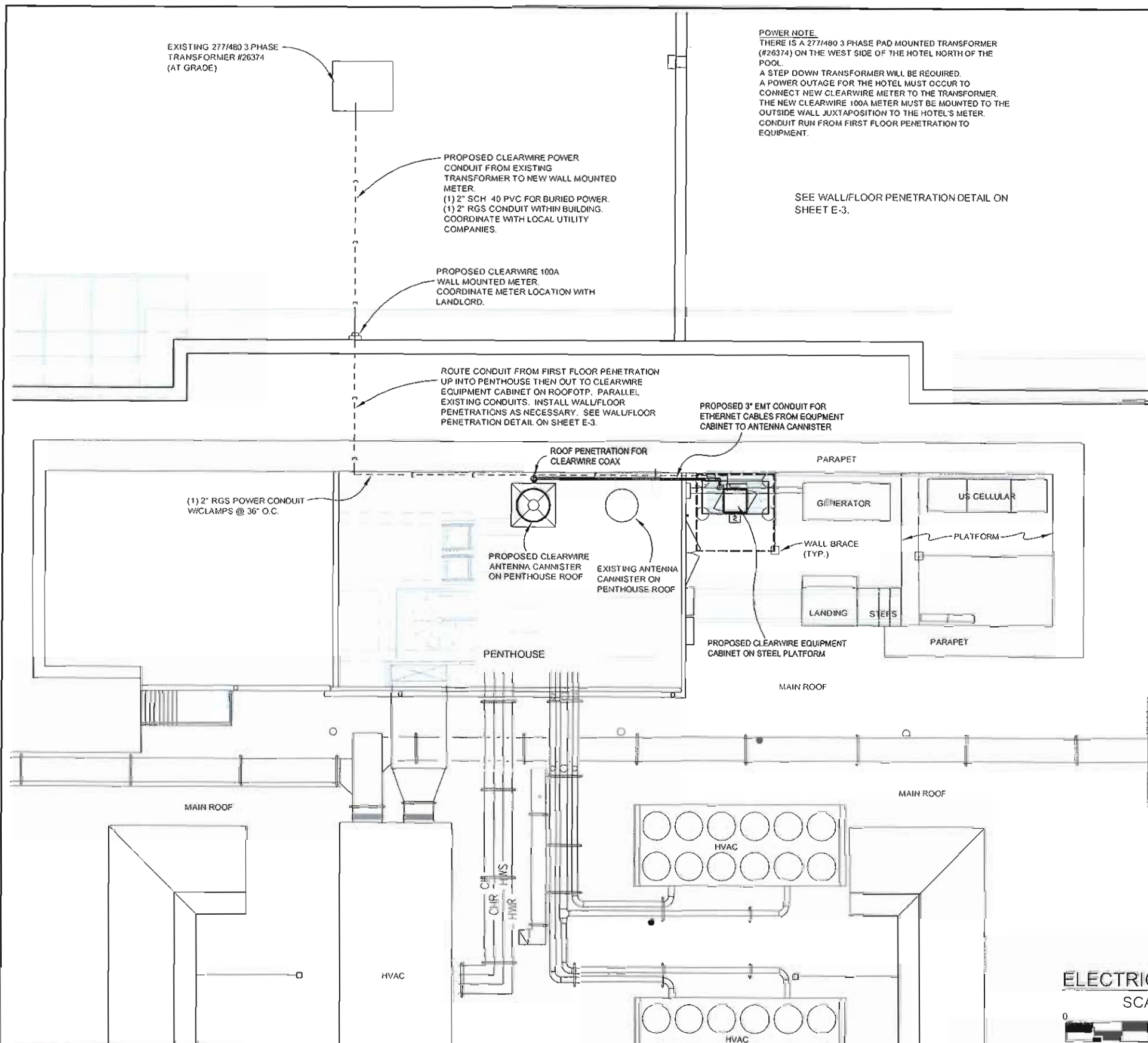
RF/MW CONFIG

DRAWING NUMBER

0938526

SCALE: AS SHOWN DESIGNED BY: MM

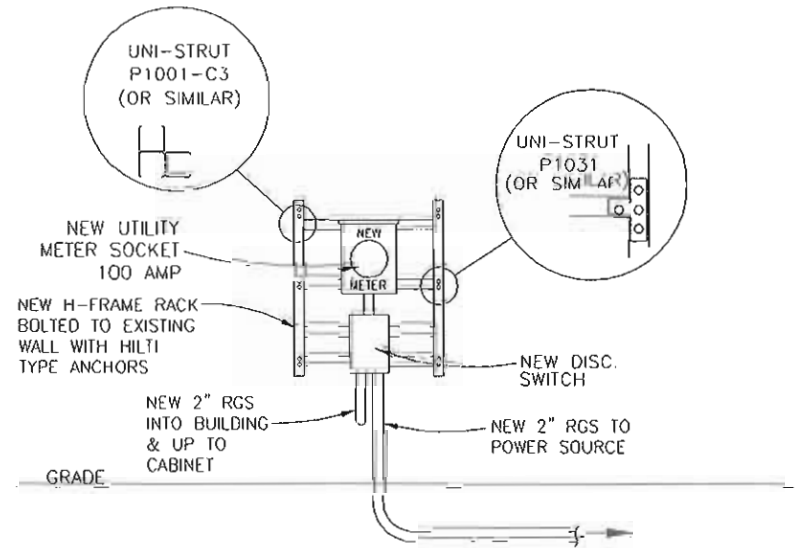
2009 CLEARWIRE. THIS DOCUMENT WAS CREATED BY LANDTECH PROFESSIONAL SURVEYING & ENGINEERING FOR CLEARWIRE. NO PART OF THIS DOCUMENT MAY BE REPRODUCED OR USED IN ANY FORM EXCEPT WITH THE WRITTEN PERMISSION OF CLEARWIRE AND LANDTECH



POWER NOTE:
THERE IS A 277/480 3 PHASE PAD MOUNTED TRANSFORMER (#26374) ON THE WEST SIDE OF THE HOTEL NORTH OF THE POOL.
A STEP DOWN TRANSFORMER WILL BE REQUIRED.
A POWER OUTAGE FOR THE HOTEL MUST OCCUR TO CONNECT NEW CLEARWIRE METER TO THE TRANSFORMER.
THE NEW CLEARWIRE 100A METER MUST BE MOUNTED TO THE OUTSIDE WALL Juxtaposition TO THE HOTEL'S METER.
CONDUIT RUN FROM FIRST FLOOR PENETRATION TO EQUIPMENT.

SEE WALL/FLOOR PENETRATION DETAIL ON SHEET E-3.

- GENERAL SPECIFICATIONS:**
- WIRING SHALL BE AWG STRANDED COPPER WITH THHN OR EQUIVALENT INSULATION. #12 MINIMUM INSTALLED IN 1/2" MINIMUM CONDUIT. SIGNAL WIRING SHALL BE INSULATED #22 AWG. NO BX OR ROMEX CABLE IS PERMITTED. CONDUITS SHALL BE SURFACE MOUNTED.
 - WIRING DEVICES AND EQUIPMENT SHALL BE UL LISTED SPECIFICATIONS GRADE.
 - MATERIALS SHALL BE NEW AND CONFORM TO THE APPLICABLE STANDARDS ESTABLISHED FOR EACH ITEM BY THE ORGANIZATIONS LISTED BELOW.
 - AMERICAN SOCIETY FOR TESTING MATERIALS (ASTM)
 - UNDERWRITER'S LABORATORY (UL)
 - NATIONAL ELECTRICAL MANUFACTURING ASSOCIATION (NEMA)
 - AMERICAN STANDARDS ASSOCIATION (ASA)
 - NATIONAL FIRE PROTECTION ASSOCIATION (NFPA)
 - INSTALLATION OF MATERIALS SHALL COMPLY WITH REGULATIONS OF:
 - THE NATIONAL ELECTRICAL CODE (NFPA 70)
 - THE NATIONAL ELECTRICAL SAFETY CODE (ANSI C-2)
 - THE LIFE SAFETY CODE (NFPA 101)
 - LOCAL BUILDING CODES
 - THE ENTIRE SYSTEM SHALL BE SOLIDLY GROUNDED USING LOCKNUTS AND BONDING NUTS ON CONDUITS AND PROPERLY BONDED GROUND CONDUCTOR. RECEPTACLES AND EQUIPMENT BRANCH CIRCUITS SHALL BE GROUNDED WITH A FULL-SIZED EQUIPMENT GROUNDING CONDUCTOR RUN IN THE CIRCUIT'S CONDUIT
 - OUTLET AND JUNCTION BOXES SHALL BE ZINC-COATED OR CADMIUM PLATED STEEL, NOT LESS THAN 4" SQUARE AND SUITABLE FOR THE TYPE SERVICE AND OUTLET. OUTLET AND JUNCTION BOXES SHALL BE SURFACE MOUNTED AND LABELED WITH BRANCH CIRCUIT BREAKER NUMBER.
 - LABEL ALL EQUIPMENT SERVED FROM CLEAR WIRE TECHNOLOGIES, INC. PANEL BOARD WITH PHONEMIC LABELS SIZED IN RELATION TO USAGE.
 - INDOOR CONDUCTORS SHALL BE INSTALLED IN EMT UNLESS NOTED OTHERWISE. OUTDOOR CONDUCTORS SHALL BE INSTALLED IN RIGID GALVANIZED STEEL UNLESS NOTED OTHERWISE. WHERE EMT IS USED, IT SHALL BE WITH ONLY LISTED COMPRESSION FITTINGS. NO SET SCREW FITTINGS SHALL BE ALLOWED.
 - CONTRACTOR TO PROVIDE AND INSTALL ENGRAVED LABEL ON THE CLEARWIRE TECHNOLOGIES, INC. METER SOCKET ENCLOSURE.



ELECTRICAL SITE PLAN
SCALE: 1"=10'
0 10' 20'

WALL MOUNTED H-FRAME DETAIL
NOT TO SCALE

LANDTECH
PROFESSIONAL SURVEYING & ENGINEERING
231-943-0050 ph 231-943-0051 fax 877-520-LAND toll free
www.landtechps.com www.towersurveyors.com

clearwire TECHNOLOGIES, INC.
4400 CARILLION POINT
KIRKLAND, WA 98033
(425) 216-7600 PH
(425) 216-7900 FAX

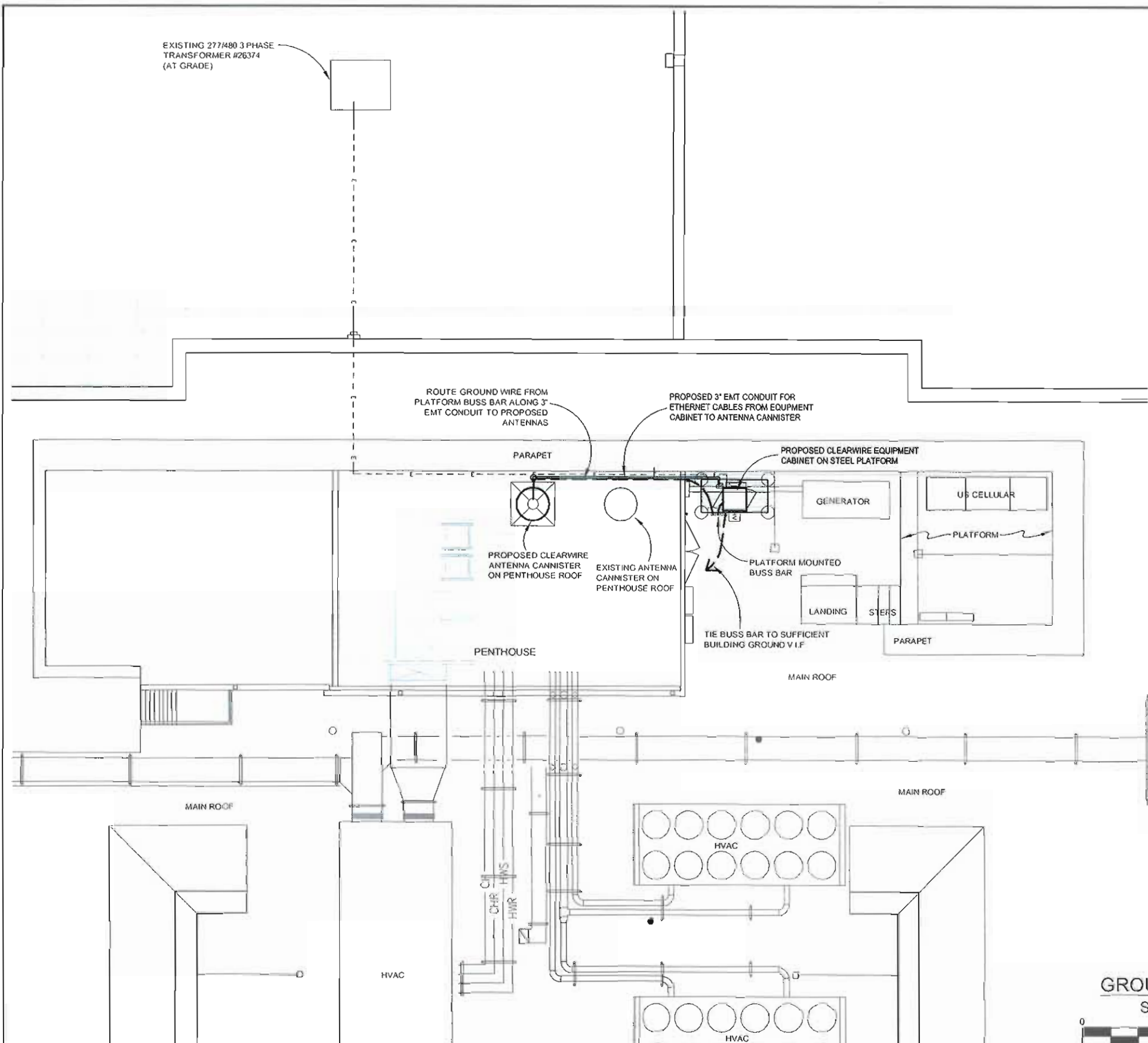
SITE ID: MO-STL0378
DRURY INN
355 E. CHESTERFIELD CENTER
CHESTERFIELD, MO 63017

NO.	DATE	REVISIONS	BY	CHK	APP'D
3	05/08/10	MOVE EQUIPMENT PLATFORM	MM	MM	MM
2	04/22/10	BLDG ELEVATION & PARCEL PLAN PER COMMENTS	DAM	MM	MM
1	03/08/10	ADD PENTHOUSE INTERIOR HVAC COMPONENTS	DAM	MM	MM
0	02/19/10	PRELIMINARY DRAWINGS	DAM	MM	MM

SCALE: AS SHOWN DESIGNED BY: MM

SHEET E-1
ELECTRICAL SITE PLAN
DRAWING NUMBER
0938526

2009 CLEARWIRE. THIS DOCUMENT WAS CREATED BY LANDTECH PROFESSIONAL SURVEYING & ENGINEERING FOR CLEARWIRE. NO PART OF THIS DOCUMENT MAY BE REPRODUCED OR USED IN ANY FORM EXCEPT WITH THE WRITTEN PERMISSION OF CLEARWIRE AND LANDTECH



GROUNDING SPECIFICATIONS:

1. GROUNDING SHALL COMPLY WITH ARTICLE 250 OF THE NATIONAL ELECTRICAL CODE.
2. ALL GROUNDING DEVICES SHALL BE U.L. APPROVED OR LISTED FOR THEIR INTENDED USE.
3. GROUND WIRES SHALL BE TINNED #2 AWG BARE SOLID Cu UNLESS NOTED OTHERWISE.
4. GROUNDING CONNECTIONS SHALL BE EXOTHERMIC (CADWELD) UNLESS NOTED OTHERWISE. CLEAN SURFACES TO SHINY METAL WHERE GROUND WIRES ARE CADWELDED TO GALVANIZED SURFACES. SPRAY CADWELD WITH GALVANIZING PAINT.
5. ROUTE GROUNDING CONDUCTORS ALONG THE SHORTEST AND STRAIGHTEST PATH POSSIBLE. BEND GROUNDING LEADS WITH A MINIMUM 8" RADIUS.
6. PRIOR TO INSTALLING LUGS ON GROUND WIRES, APPLY THOMAS & BETTS KOPR-SHIELD (TM OF JET LUB INC.). PRIOR TO BOLTING GROUND WIRE LUGS TO GROUND BARS, APPLY KOPR-SHIELD OR EQUAL.
7. WHERE BARE COPPER GROUND WIRES ARE ROUTED FROM ANY CONNECTION ABOVE GRADE TO GROUND RINGS, INSTALL WIRE IN 3/4" PVC SLEEVE, FROM 1'-0" ABOVE GRADE AND SEAL TOP WITH SILICONE MATERIAL.
8. PREPARE ALL BONDING SURFACES FOR GROUNDING CONNECTIONS BY REMOVING ALL PAINT AND CORROSION DOWN TO SHINY METAL FOLLOWING CONNECTION, APPLY APPROPRIATE ANTI-OXIDIZATION PAINT.
9. GROUNDING WIRE CONNECTIONS SHALL BE 3-CRIMP C-TAP COMPRESSION TYPE. SPLIT BOLTS ARE NOT ACCEPTABLE.
10. GROUND RODS SHALL BE COPPER CLAD STEEL 5/8"x10' SPACED NOT LESS THAN 10' O.C.
11. CONNECTORS SHALL BE CRIMPED USING HYDRAULIC CRIMPING TOOLS.
12. SURFACE CONNECTIONS SHALL BE MADE TO BARE METAL. PAINTED SURFACES SHALL BE FILED TO ENSURE PROPER CONTACT. APPLY NON-OXIDIZING AGENT TO CONNECTIONS.
13. COPPER BUSES SHALL BE CLEANED, POLISHED AND A NON-OXIDIZING AGENT APPLIED. NO FINGERPRINTS OR DISCOLORED COPPER WILL BE PERMITTED.
14. GROUNDING CONDUCTORS SHALL BE RUN THROUGH PVC SLEEVE WHERE ROUTED THROUGH WALLS, FLOORS, AND CEILING. ENDS OF CONDUIT SHALL BE GROUND. SEAL BOTH ENDS OF CONDUIT WITH SILICONE CAULK.
15. HARDWARE (I.E. NUTS, BOLTS, WASHERS, ETC.) IS TO BE STAINLESS STEEL.
16. EXOTHERMIC WELDS SHALL BE INSTALLED IN ACCORDANCE WITH MANUFACTURERS RECOMMENDATIONS.
17. THE ENTIRE SYSTEM SHALL BE SOLIDLY GROUNDING USING LOCKRITS AND BONDING NUTS ON CONDUITS AND PROPERLY BONDED GROUND CONDUCTORS. RECEPTACLES AND EQUIPMENT BRANCH CIRCUITS SHALL BE GROUNDING WITH A FULL SIZED EQUIPMENT GROUNDING CONDUCTOR RUN IN THE CIRCUIT'S CONDUIT.
18. INSTALL GROUND BUSHINGS ON ALL METALLIC CONDUITS AND BOND TO THE EQUIPMENT GROUND BUS IN THE PANEL BOARD.
19. GROUND BARS (SECTOR, COLLECTOR, MASTER) SHALL BE BARE 1/4"x4" COPPER; LARGE ENOUGH TO ACCOMMODATE THE REQUIRED NUMBER OF GROUND CONNECTIONS. THE HARDWARE SECURING THE MCB SHALL ELECTRICALLY INSULATE THE MCB FROM ANY STRUCTURE TO WHICH IT IS FASTENED.
20. APPLY TAB KOPR-SHIELD OR APPROVED EQUAL PRIOR TO MAKING MECHANICAL CONNECTIONS. CONNECTIONS SHALL BE MADE WITH STAINLESS STEEL BOLTS, NUTS AND LOCK WASHERS 3/8" DIAMETER MIN. WHERE GALVANIZING IS REMOVED FROM METAL IT SHALL BE PAINTED OR TOUCHED UP WITH 'GALVONOX' OR EQUAL.
21. ALL TERMINATIONS AT EQUIPMENT ENCLOSURES, PANELS, FRAMES OF EQUIPMENT AND WHERE EXPOSED FOR GROUNDING CONDUCTOR TERMINATION SHALL BE PERFORMED UTILIZING TWO HOLE BOLTED TONGUE COMPRESSION TYPE WITH STAINLESS STEEL SELF-TAPPING SCREWS.
22. ALL CLAMPS AND SUPPORTS USED TO SUPPORT THE GROUNDING SYSTEM CONDUCTORS AND PVC CONDUITS SHALL BE PVC TYPE (NON-CONDUCTIVE). DO NOT USE METAL BRACKETS OR SUPPORTS WHICH WOULD FORM A COMPLETE RING AROUND ANY GROUNDING CONDUCTOR.
23. ALL BOLTS, WASHERS AND NUTS USED ON GROUNDING CONNECTIONS SHALL BE STAINLESS STEEL.
24. THE CONTRACTOR SHALL ENGAGE AN INDEPENDENT ELECTRICAL TESTING FIRM TO TEST AND VERIFY THAT RESISTANCE TO EARTH DOES NOT EXCEED 5.0 OHMS. PROVIDE A COPY OF TESTING REPORT, INCLUDING THE METHOD AND INSTRUMENTS USED TO VERIFY RESISTANCE TO CLEARWIRE REPRESENTATIVE.
25. BOND CABINET THROUGH THE MAIN GROUND BAR.

GROUNDING LEGEND

- GROUND BUSS BAR
- #2 SOLID COPPER TINNED BURIED
- GROUND TO SUFFICIENT BUILDING GROUND



GROUNDING PLAN

SCALE: 1"=10'

LANDTECH
PROFESSIONAL SURVEYING & ENGINEERING
216-943-0050 ph 231-943-0051 fax 877-520-LAND toll free
www.landtechps.com www.towersurveyors.com

clearwire TECHNOLOGIES, INC.
4400 CARILLION POINT
KIRKLAND, WA 98033
(425) 216-7600 PH
(425) 216-7900 FAX

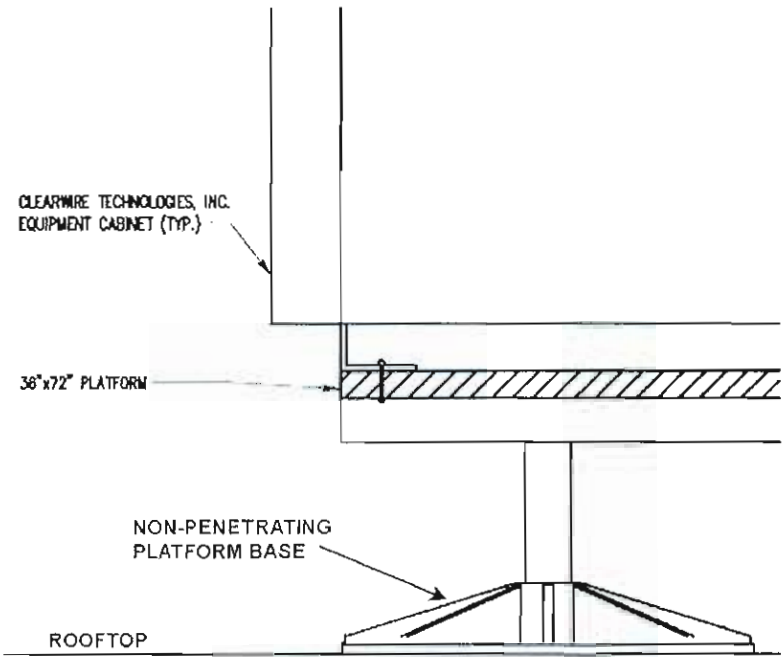
SITE ID: MO-STL0378
DRURY INN
355 E. CHESTERFIELD CENTER
CHESTERFIELD, MO 63017

NO.	DATE	REVISIONS	BY	CHK	APP'D
3	05/08/10	MOVE EQUIPMENT PLATFORM	DAM	MM	MM
2	04/22/10	BLDG ELEVATION & PARCEL PLAN PER COMMENTS	DAM	MM	MM
1	03/08/10	ADD PENTHOUSE INTERIOR HVAC COMPONENTS	DAM	MM	MM
0	02/19/10	PRELIMINARY DRAWINGS	DAM	MM	MM

SCALE: AS SHOWN DESIGNED BY: MM

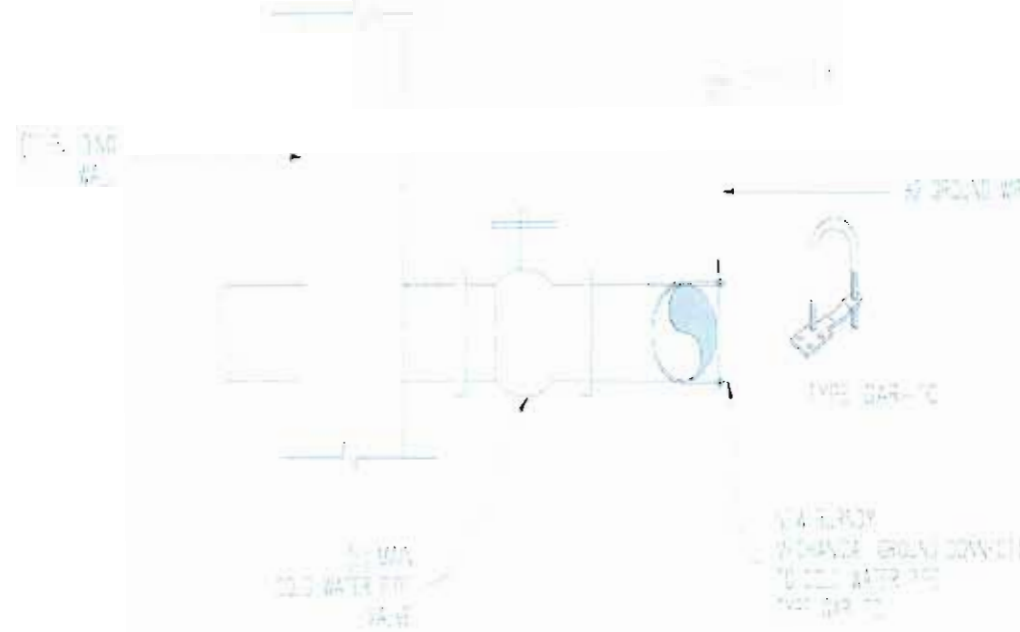
SHEET E-2
GROUNDING PLAN
DRAWING NUMBER
0938526

2009 CLEARWIRE. THIS DOCUMENT WAS CREATED BY LANDTECH PROFESSIONAL SURVEYING & ENGINEERING FOR CLEARWIRE. NO PART OF THIS DOCUMENT MAY BE REPRODUCED OR USED IN ANY FORM EXCEPT WITH THE WRITTEN PERMISSION OF CLEARWIRE AND LANDTECH

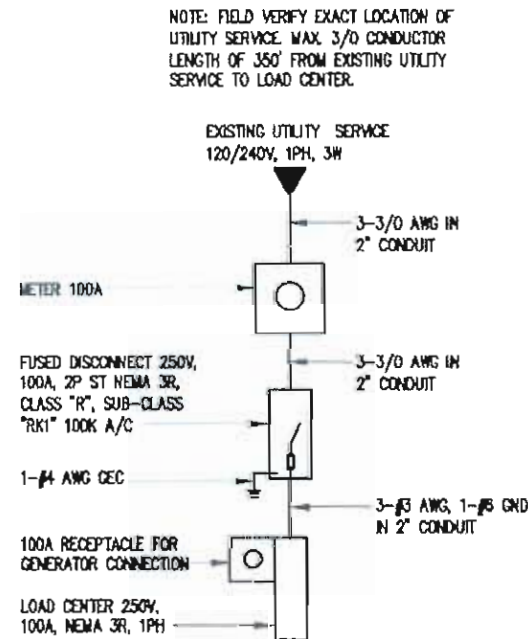


PLATFORM MOUNTING DETAIL 1
SCALE: N.T.S. E-3

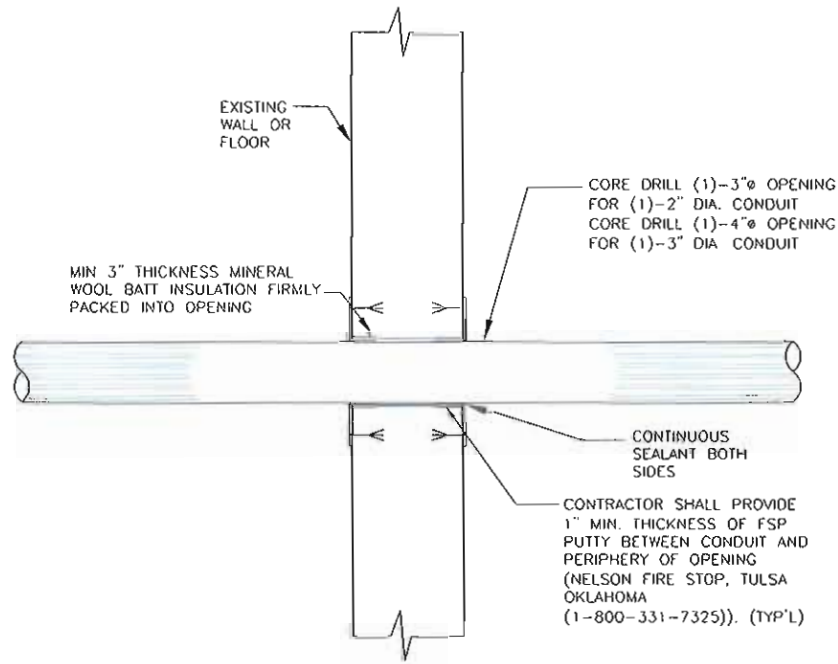
OPTIONAL GROUNDING DETAIL



WALL/FLOOR PENETRATION DETAIL
NOT TO SCALE



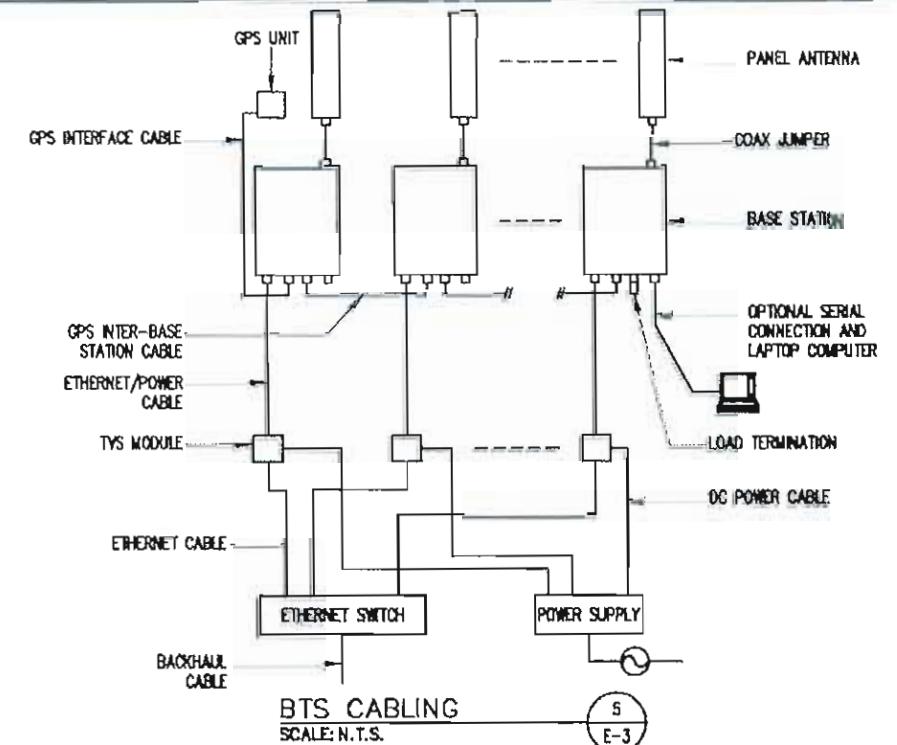
ONE LINE DIAGRAM 3
SCALE: N.T.S. E-3



THROUGH PENETRATION FIRE STOP SYSTEMS
UL SYSTEMS NO. W-J-1005 (F RATING - 2 HR)
UL FIRE RESISTANCE DIRECTORY - 1998 VOL. II, PAGE 693

GENERAL NOTES:

- OBTAIN PERMITS AND PAY FEES RELATED TO ELECTRICAL WORK PERFORMED ON THIS PROJECT. DELIVER COPIES OF ALL PERMITS TO CLEARWIRE TECHNOLOGIES, INC.
- SCHEDULE AND ATTEND INSPECTIONS RELATED TO ELECTRICAL WORK REQUIRED BY JURISDICTION HAVING AUTHORITY. CORRECT AND PAY FOR ANY WORK REQUIRED TO PASS ANY FAILED INSPECTION.
- REDLINED AS-BUILTS ARE TO BE DELIVERED TO CLEARWIRE TECHNOLOGIES, INC. REPRESENTATIVE.
- PROVIDE TWO COPIES OF OPERATION AND MAINTENANCE MANUALS IN THREE-RING BINDER.
- FURNISH AND INSTALL THE COMPLETE ELECTRICAL SYSTEM, TELCO SYSTEM, AND THE GROUNDING SYSTEM AS SHOWN ON THESE DRAWINGS.
- ALL WORK SHALL BE PERFORMED IN STRICT ACCORDANCE WITH ALL APPLICABLE BUILDING CODES AND LOCAL ORDINANCES, INSTALLED IN A NEAT MANNER AND SHALL BE SUBJECT TO APPROVAL BY CLEARWIRE TECHNOLOGIES, INC. REPRESENTATIVE.
- CONDUCT A PRE-CONSTRUCTION SITE VISIT AND VERIFY EXISTING SITE CONDITIONS AFFECTING THIS WORK. REPORT ANY OMISSIONS OR DISCREPANCIES FOR CLARIFICATION PRIOR TO THE START OF CONSTRUCTION.
- PROTECT ADJACENT STRUCTURES AND FINISHES FROM DAMAGE. REPAIR TO ORIGINAL CONDITION ANY DAMAGED AREA.
- REMOVE DEBRIS ON A DAILY BASIS. DEBRIS NOT REMOVED IN A TIMELY FASHION WILL BE REMOVED BY OTHERS AND THE RESPONSIBLE SUBCONTRACTOR SHALL BE CHARGED ACCORDINGLY. REMOVAL OF DEBRIS SHALL BE COORDINATED WITH THE SITE OWNERS REPRESENTATIVE. DEBRIS SHALL BE REMOVED FROM THE PROPERTY AND DISPOSED OF LEGALLY. USE OF THE PROPERTY'S DUMPSTER IS PROHIBITED.
- CONTRACTOR TO CONFIRM AVAILABLE CAPACITY AT EXISTING UTILITY PEDESTAL AND ADVISE ENGINEER OF SERVICE SIZE AND FAULT CURRENT LEVEL.
- IF PEDESTAL DOES NOT HAVE ADEQUATE CAPACITY, CONTRACTOR TO SUBMIT COST QUOTATION TO UPGRADE. UPON APPROVAL OF SUBMITTED COST QUOTATION, THE CONTRACTOR SHALL PROVIDE NEW SERVICE AND/OR UPGRADE SERVICE. FEEDERS AND EQUIPMENT/ELECTRODE GROUNDING CONDUCTORS SIZE ACCORDINGLY.
- CONTRACTOR SHALL VERIFY SEPERATION DIMENSION BETWEEN POWER COMPANY ELECTRICAL CONDUITS AND LP GAS PIPES AS PER UTILITY COMPANY, LOCAL CODES, NEC, NFPA, AND GAS TANK MANUFACTURER'S SPECIFICATION.
- CONTRACTOR SHALL VERIFY THAT THE TOTAL NUMBER OF SERVICE ENTRANCE DISCONNECTS IN THE EXISTING UTILITY COMPANY PEDESTAL MUST NOT EXCEED SIX. IF THE NEW SERVICE ADDED EXCEEDS THIS VALUE, CONTRACTOR MUST COORDINATE WITH THE UTILITY COMPANY AND AUTHORITY HAVING JURISDICTION. THE RUNNING OF AN ADDITIONAL EXCLUSIVE AND DEDICATED SERVICE LATERAL SET FOR THE NEW LOAD ADDED TO THE COMPOUND AS PER NEC ARTICLE 230-2(B).
- THE EQUIPMENT/PROTECTIONS MUST BE RATED FOR STANDARD AIC RATE HIGHER THAN INCOMING EQUIPMENT AND/OR UTILITY COMPANY AIC RATE.



BTS CABLING 5
SCALE: N.T.S. E-3

LANDTECH
PROFESSIONAL SURVEYING & ENGINEERING
231-943-0050 ph 231-943-0051 fax 877-520-LAND toll free
www.landtechps.com www.towersurveyors.com

clearwire
TECHNOLOGIES, INC.
4400 CARILLION POINT
KIRKLAND, WA 98033
(425) 216-7600 PH
(425) 216-7900 FAX

SITE ID: MO-STL0378
DRURY INN
355 E. CHESTERFIELD CENTER
CHESTERFIELD, MO 63017

NO.	DATE	REVISIONS	BY	CHK	APP'D
3	05/08/10	MOVE EQUIPMENT PLATFORM	DAM	MM	MM
2	04/22/10	BLDG ELEVATION & PARCEL PLAN PER COMMENTS	DAM	MM	MM
1	03/08/10	ADD PENTHOUSE INTERIOR HVAC COMPONENTS	DAM	MM	MM
0	02/19/10	PRELIMINARY DRAWINGS	DAM	MM	MM

SCALE: AS SHOWN DESIGNED BY: MM

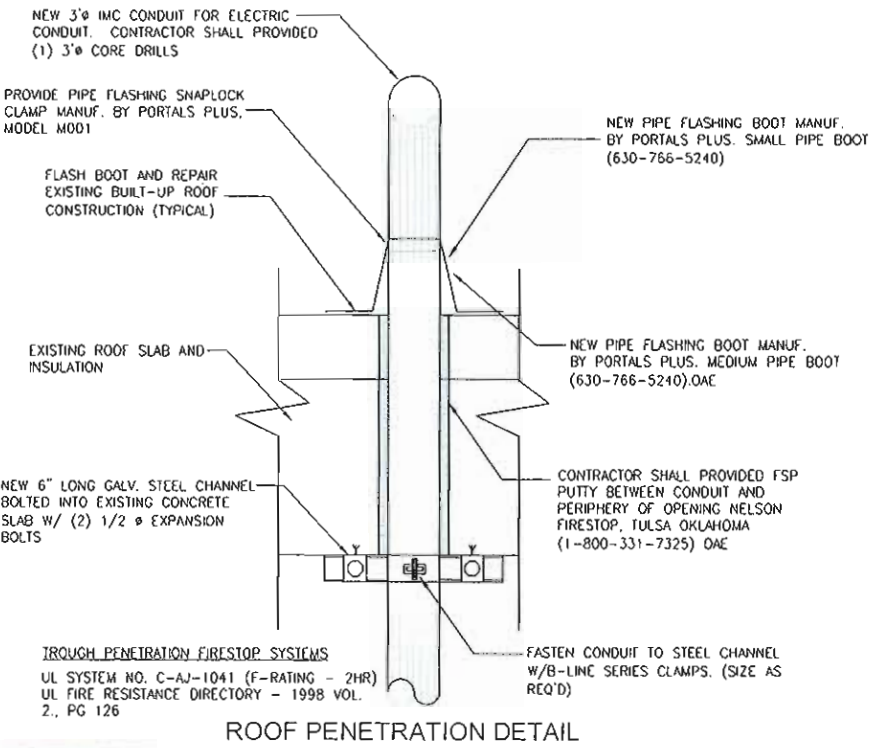
SHEET E-3

ELECTRICAL DETAILS

DRAWING NUMBER

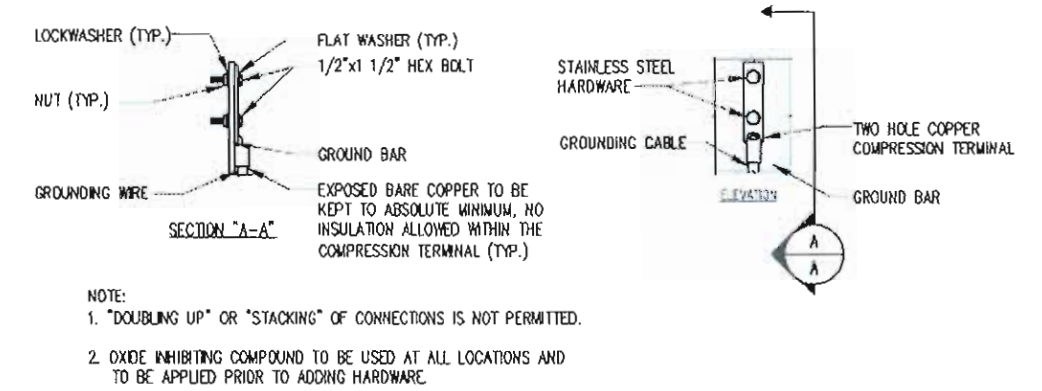
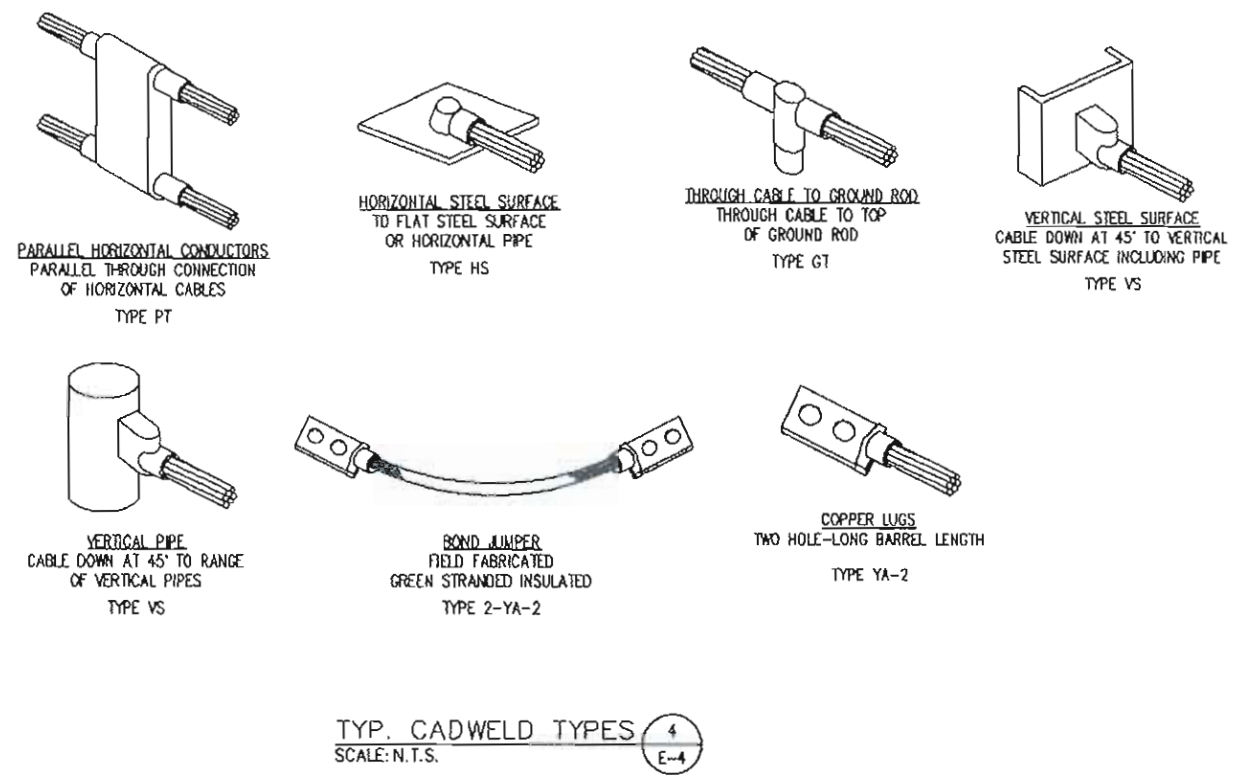
0938526

2009 CLEARWIRE. THIS DOCUMENT WAS CREATED BY LANDTECH PROFESSIONAL SURVEYING & ENGINEERING FOR CLEARWIRE. NO PART OF THIS DOCUMENT MAY BE REPRODUCED OR USED IN ANY FORM EXCEPT WITH THE WRITTEN PERMISSION OF CLEARWIRE AND LANDTECH



NOTES:
FIELD POSITION ANTENNA CANISTER ON PENTHOUSE ROOF SO THAT BASE PLATE SPANS UNDERLYING STRUCTURAL STEEL MEMBERS. SEE SHEET A-3.5 FOR BASE PLATE INSTALLATION DETAILS.

ORIGINAL ROOF CONTRACTOR TO INSTALL ANTENNA CANISTER BASE PLATE AND ROOF PENETRATION SO AS TO NOT VOID ROOF WARRANTY. SEE ROOF COAX PENETRATION DETAIL ON SHEET E-4.



TYPICAL GROUND BAR CONNECTION DETAILS
SCALE: N.T.S.

LANDTECH
PROFESSIONAL SURVEYING & ENGINEERING
AR, AZ, CO, FL, GA, IL, IA, IN, KS, KY, MI, MN, MO, NE, NC, ND, PA, OH, OK, OR, SC, SD, TN, TX, VA, WV
231-943-0050 ph 231-943-0051 fax 877-520-LAND toll free
www.landtechps.com www.towersurveyors.com

clearwire
TECHNOLOGIES, INC.
4400 CARILLION POINT
KIRKLAND, WA 98033
(425) 216-7600 PH
(425) 216-7900 FAX

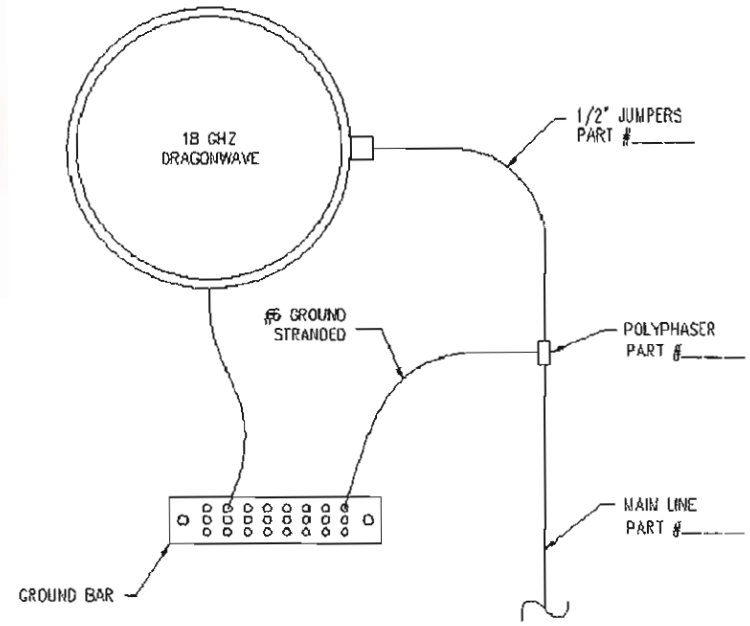
SITE ID: MO-STL0378
DRURY INN
355 E. CHESTERFIELD CENTER
CHESTERFIELD, MO 63017

NO.	DATE	REVISIONS	BY	CHK	APP'D
3	05/08/10	MOVE EQUIPMENT PLATFORM	DAM	MM	MM
2	04/22/10	BLOC ELEVATION & PARCEL PLAN PER COMMENTS	DAM	MM	MM
1	03/08/10	ADD PENTHOUSE INTERIOR HVAC COMPONENTS	DAM	MM	MM
0	02/19/10	PRELIMINARY DRAWINGS	DAM	MM	MM

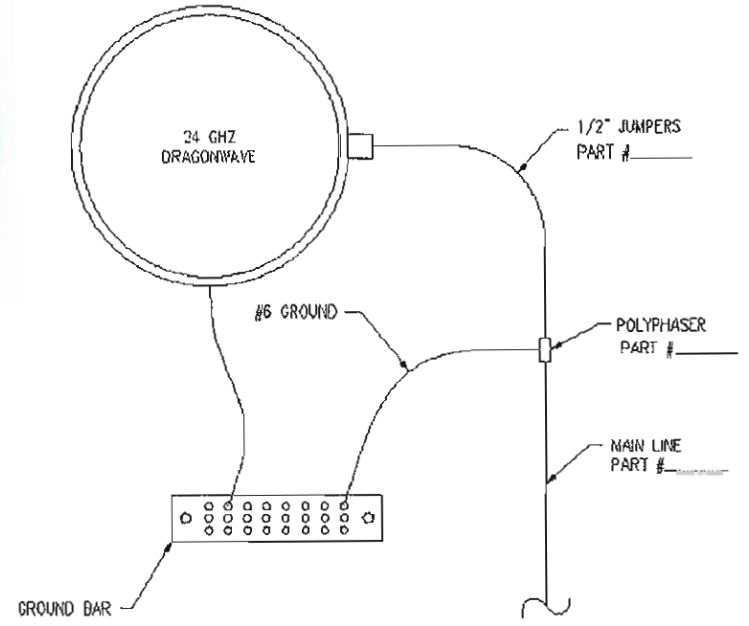
SCALE: AS SHOWN DESIGNED BY: MM

SHEET E-4
GROUNDING DETAILS & NOTES
DRAWING NUMBER
0938526

2009 CLEARWIRE. THIS DOCUMENT WAS CREATED BY LANDTECH PROFESSIONAL SURVEYING & ENGINEERING FOR CLEARWIRE. NO PART OF THIS DOCUMENT MAY BE REPRODUCED OR USED IN ANY FORM EXCEPT WITH THE WRITTEN PERMISSION OF CLEARWIRE AND LANDTECH

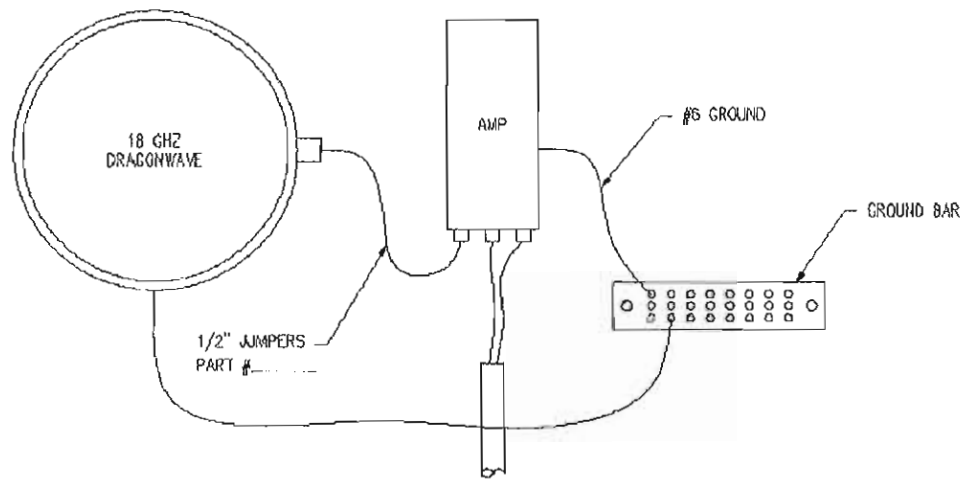


18 GHZ DRAGONWAVE GROUNDING
SCALE: N.T.S. 1
E-5

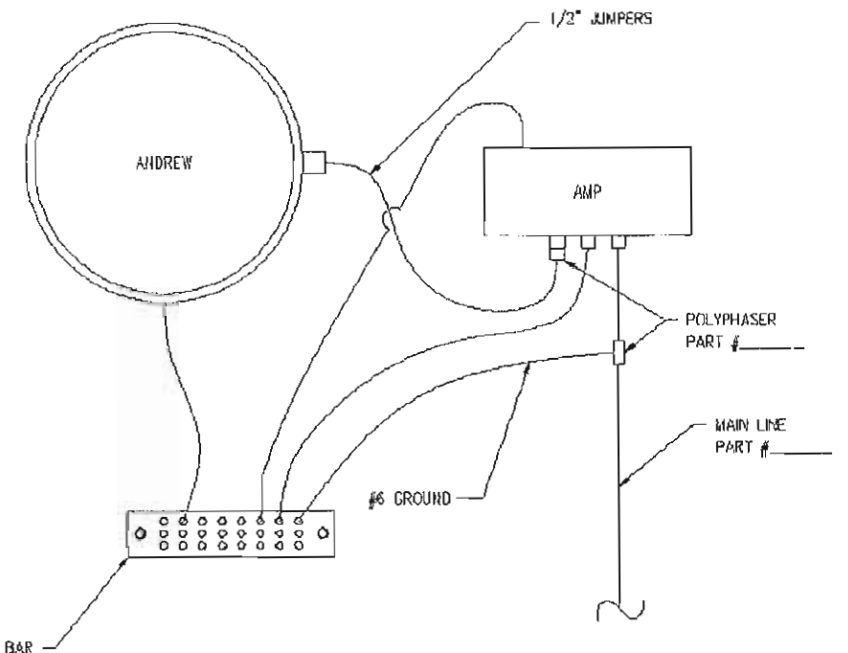


24 GHZ DRAGONWAVE GROUNDING
SCALE: N.T.S. 2
E-5

NOTE:
ANTENNA MODEL AND AZIMUTH(S)
TO BE DETERMINED.



18 GHZ DRAGONWAVE/AMP GROUNDING
SCALE: N.T.S. 3
E-5



ANDREW GROUNDING
SCALE: N.T.S. 4
E-5

LANDTECH
PROFESSIONAL SURVEYING & ENGINEERING
AK AZ CD FL GA IL IA IN KS KY MI MN MO NE
NC ND NJ OH OK PA SC SD TN TX VA WY
231-943-0850 ph 231-943-0051 fax 877-520-LAND toll free
www.landtechps.com www.towersurveyors.com

clearwire
TECHNOLOGIES, INC.
4400 CARILLION POINT
KIRKLAND, WA 98033
(425) 216-7600 PH
(425) 216-7900 FAX

SITE ID: MO-STL0378
DRURY INN
355 E. CHESTERFIELD CENTER
CHESTERFIELD, MO 63017

NO.	DATE	REVISIONS	BY	CHK	APP'D
3	05/08/10	MOVE EQUIPMENT PLATFORM	DAM	MM	MM
2	04/22/10	BLDG ELEVATION & PARCEL PLAN PER COMMENTS	DAM	MM	MM
1	03/08/10	ADD PENTHOUSE INTERIOR HVAC COMPONENTS	DAM	MM	MM
0	02/19/10	PRELIMINARY DRAWINGS	DAM	MM	MM

SCALE: AS SHOWN DESIGNED BY: MM

SHEET E-5
GROUNDING ANTENNA DETAILS
DRAWING NUMBER
0938526